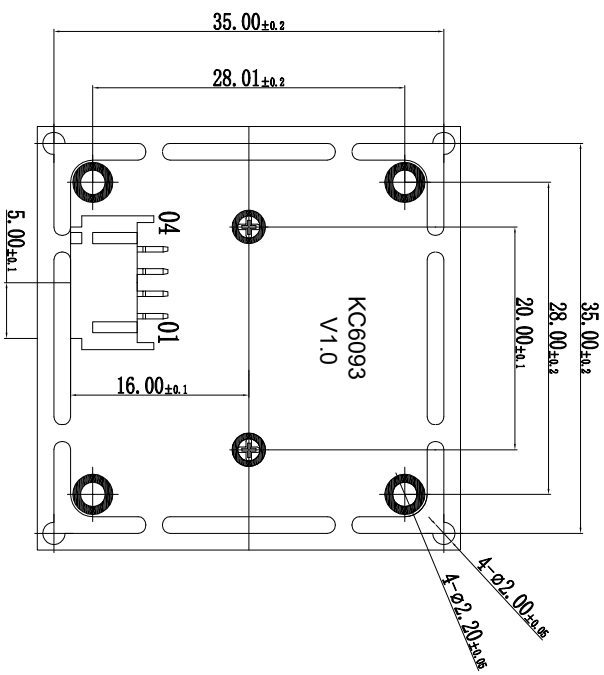
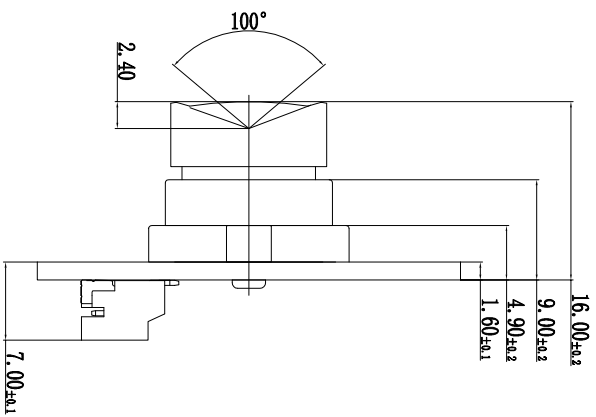
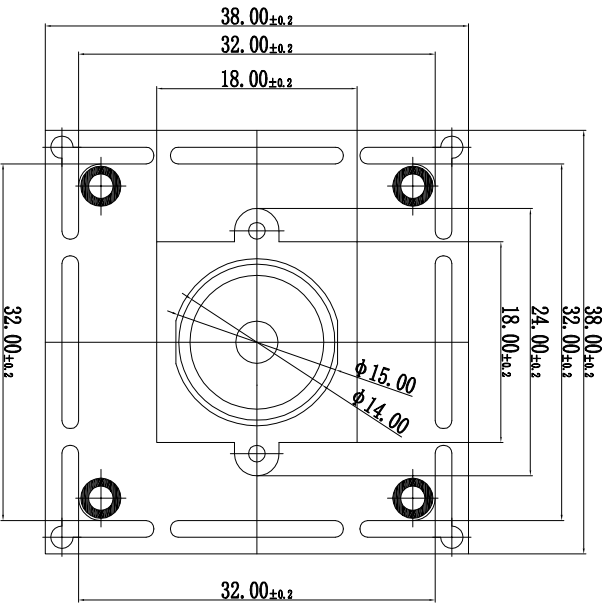
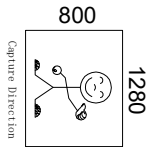


P/NO.	PIN define
1	VCC 5V
2	DM
3	DP
4	GND



Lens parameter

物距 (U)	1M	感光芯片 (sensor)	OV9732	VCM	****	Sensor I2C address	Write ()	4.0			
焦距 (EFL)	2.1mm	像素 (Array Size)	1280*800	VCM电压		Driver IC	Read ()	3.0			
光圈 (F.NO)	2.2±5%	镜头类型 (Array Size)	1/4 inch	VCM电流		VCM Driver IC		2.0			
畸变 (Distortion)	<2%	像素大小 (Pixel Size)	3 μmX3 μm	VCM电阻		I2C address	*****	1.0	Preliminary outline design		LSX
景深 (Focusing Range)	>0.1M	数字电路电压 (DVDD)		工作电压	5V	EEPROM	Write ()	REV.	DISCRIPTION		BY
视场角 (View Angle)		模拟电路电压 (AVDD)				EEPROM	Read ()				DATE
		接口电路电压 (DVDD)				EEPROM					
		DFOV:100°	连接器件 (Connect type)	4P-2-0-插贴		I2C address					



深圳市龙华区大浪街道  
新石街道华宁路38号港  
深科创园G栋601

Prepared by: \_\_\_\_\_  
Checked by: \_\_\_\_\_  
Approved by: \_\_\_\_\_

DATE: \_\_\_\_\_ DATE: \_\_\_\_\_ DATE: \_\_\_\_\_

APPROVALS

TOLERANCES  
UNLESS OTHERWISE SPECIFIED

PRINT TO DIE CUT OVER ALL

SCALE: 1:1

ALL DIMENSIONS IN: mm

PART TYPE: KC6093

CUSTOMER NO. \_\_\_\_\_

MODEL NO. \_\_\_\_\_

DATE \_\_\_\_\_

SHEET 1 OF 1