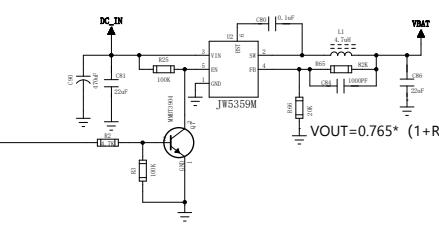
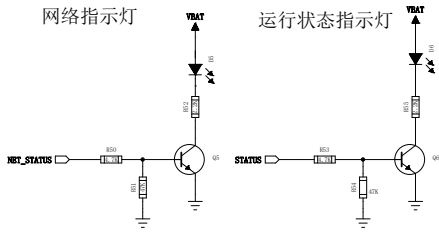
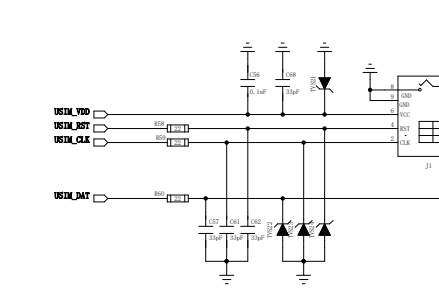


REVISION RECORD			
LV#	REV NO.	APPROVED:	DATE:

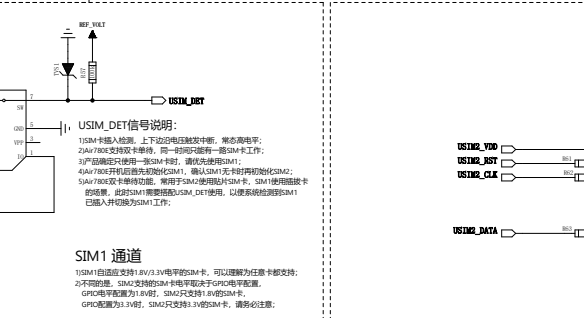
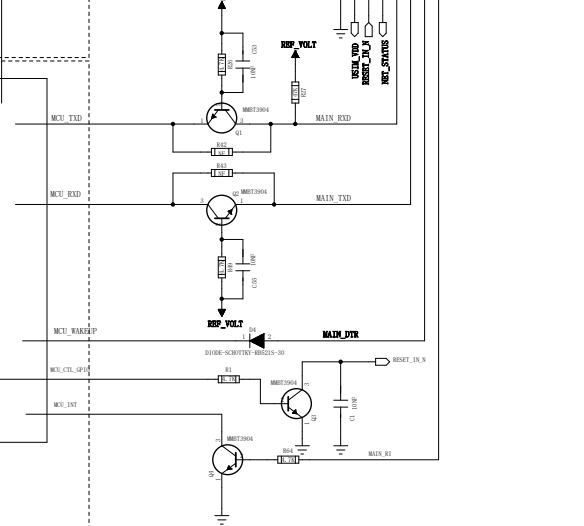
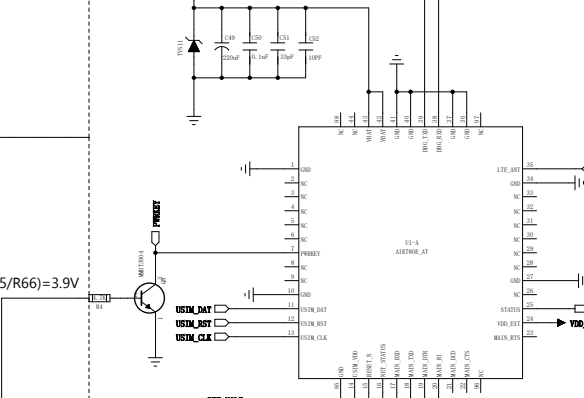


DCDC开关电源供电设计指导以及选型：
<https://docs.openluat.com/air780e/at/hardware/design/power/>

Air780E模块串口设计硬件指导：
<https://docs.openluat.com/air780e/at/hardware/design/uart/>

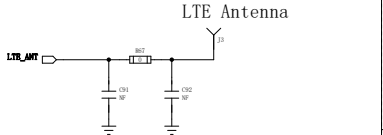
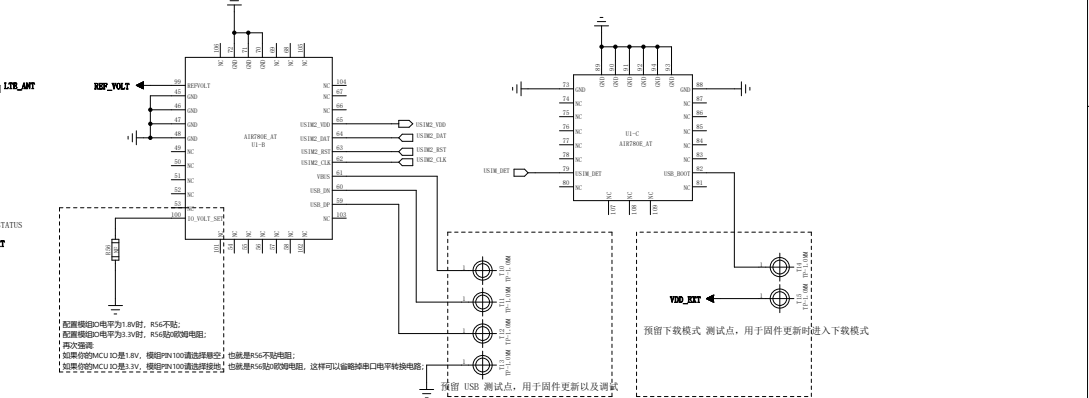


SIM 卡电路很简单，但也有几点需要注意一下
<https://docs.openluat.com/air780e/at/hardware/design/sim/>



SIM2通道 可选

Air780E开机以启动及外围电路设计指导：
<https://docs.openluat.com/air780e/at/hardware/design/poweron/>



推荐预留P型匹配电路

关于蜂窝模组天线的一些大白话常识
<https://docs.openluat.com/air780e/at/hardware/design/ant/>

DRAWN: JJ		DATE: 2024-10-25		DRAWING NO: 20241025		REV: 2	
CHECKED: laolu		DATE: 2024-10-25		CORE: laolu		SIZE: A1	
QUALITY CONTROL: laolu		DATE: 2024-10-25		DRAWING NO: 20241025		REV: 2	
RELEASED: laolu		DATE: 2024-10-25		SCALE: G2		SHEET: 1 of 1	

上海合宙
 Air780E用于AT使用方式时的参考设计