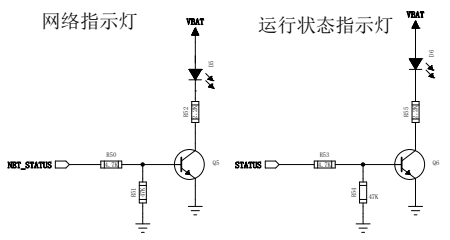
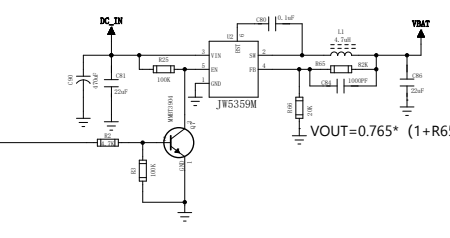


REVISION RECORD			
LV#	REV NO.	APPROVED:	DATE:

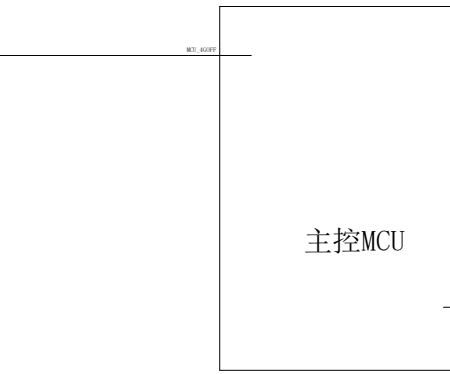


特别提醒:

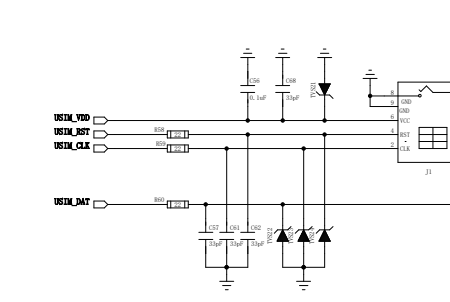
Air780EEN/EEU/EEJ无法像Air780E/Air780EP/Air780EPS等型号一样可以软硬件设置IO电平为3.3V, Air780EEN/EEU/EEJ的IO电平只能为1.8V;



DCDC开关电源供电设计指导以及选型:
<https://docs.openluat.com/air780een/at/hardware/design/power/>

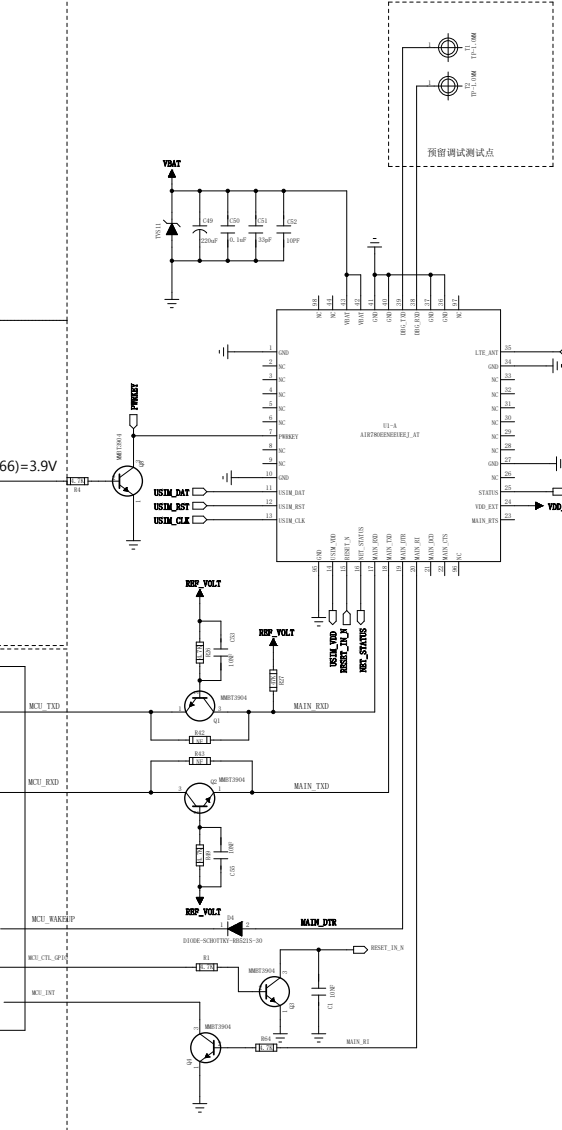


Air780EEN/EEU/EEJ模块串口设计硬件指导:
<https://docs.openluat.com/air780een/at/hardware/design/uart/>

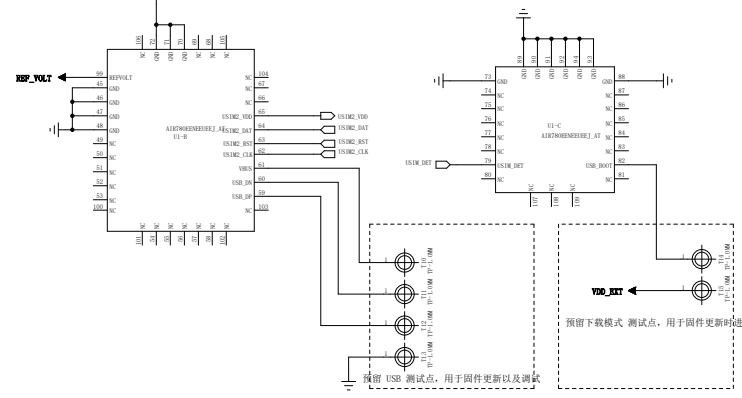


SIM1 通道
 1)SIM1自适应支持1.8V/3.3V电平的SIM卡, 可以理解为任意卡都支持;
 2)SIM2的IO电平与GPIO电平保持一致, Air780EQ的GPIO电平仅为1.8V, 因此, SIM2也支持1.8V的SIM卡;

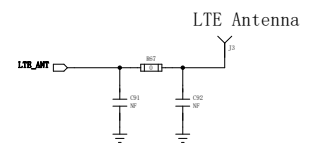
SIM 卡电路很简单, 但也有几点需要注意一下
<https://docs.openluat.com/air780een/at/hardware/design/sim/>



Air780EEN/EEU/EEJ开机以启动及外围电路设计指导:
<https://docs.openluat.com/air780een/at/hardware/design/poweron/>



预留 USB 测试点, 用于固件更新以及调试
 预留下载模式 测试点, 用于固件更新时进入下载模式



推荐预留P1型匹配电路

关于蜂窝模组天线的一些大白话常识
<https://docs.openluat.com/air780een/at/hardware/design/ant/>

DRAWN: JJ		DATE: 2024-10-28		DRAWING NO:		REV:	
DESIGNED: laolu		DATE: 2024-10-29		CORE:		20241029	
QUALITY CONTROL: laolu		DATE: 2024-10-29		SIZE: A1		1	
RELEASED: laolu		DATE: 2024-10-29		SCALE: G2		SHEET: 1 of 1	

上海合宙
 TITLE: Air780EEN/EEU/EEJ用于AT使用方式时的参考设计