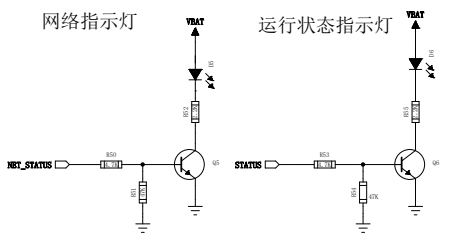
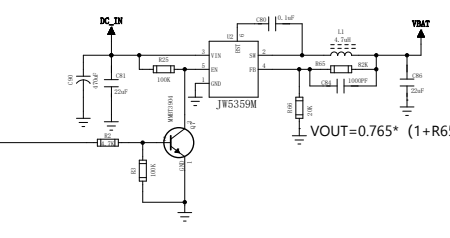


REVISION RECORD			
LV#	REV NO.	APPROVED:	DATE:

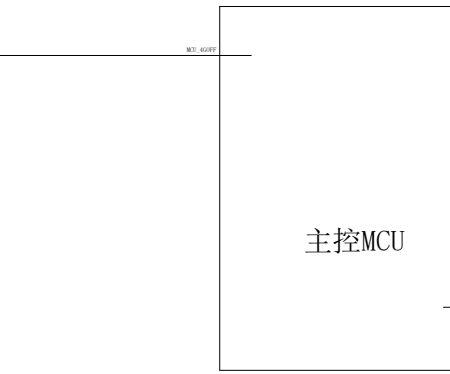


特别提醒:

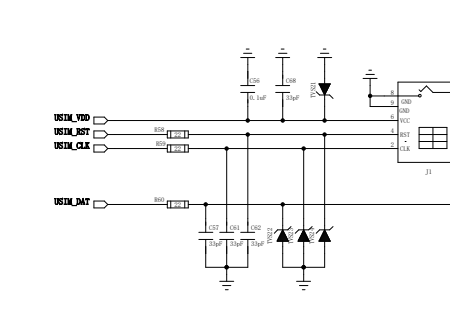
Air780EQ/Air700ECQ/Air700EAQ/Air780EMQ无法像Air890E/Air780EP/Air780EPS等型号一样可以软硬件设置IO电平为3.3V, Air780EQ的IO电平只能为1.8V;



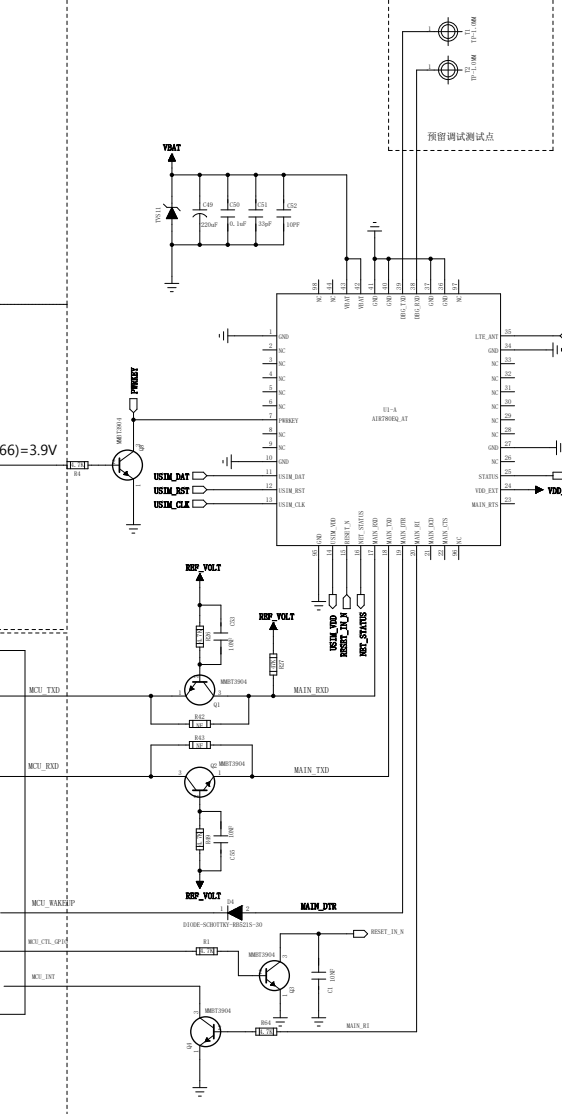
DCDC开关电源供电设计指导以及选型:
<https://docs.openluat.com/air780eq/at/hardware/design/power/>



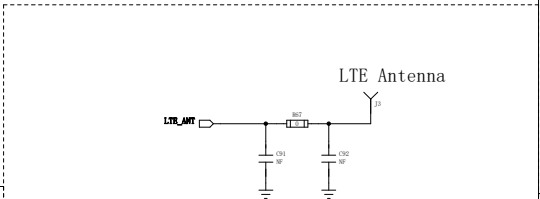
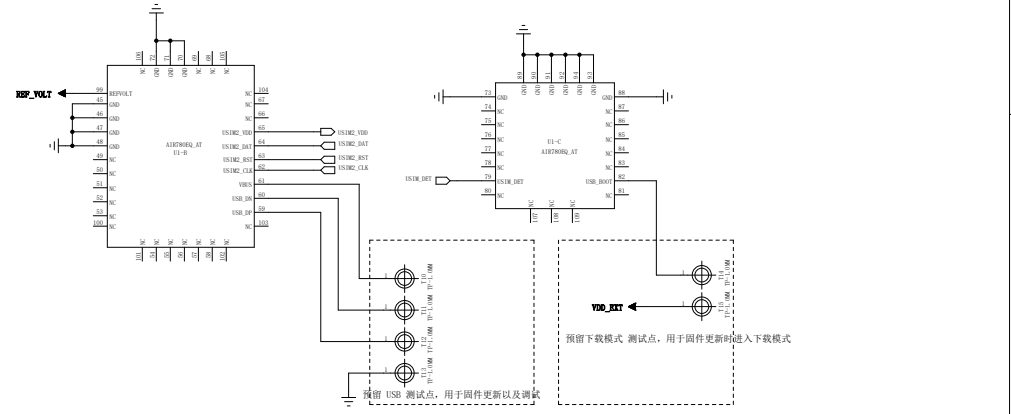
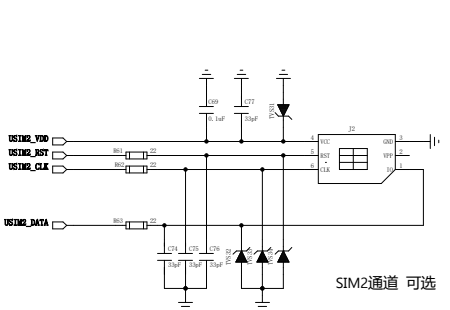
Air780EQ模块串口设计硬件指导:
<https://docs.openluat.com/air780eq/at/hardware/design/uart/>



SIM 卡电路很简单,但也有几点需要注意一下
<https://docs.openluat.com/air780eq/at/hardware/design/sim/>



Air780EQ开机以启动及外围电路设计指导:
<https://docs.openluat.com/air780eq/at/hardware/design/poweron/>



关于蜂窝模组天线的一些大白话常识
<https://docs.openluat.com/air780eq/at/hardware/design/ant/>

DRAWN: JJ		DATE: 2024-10-28		DRAWING NO: 20241029		REV: 1	
DESIGNED: laolu		DATE: 2024-10-29		CORE: A1		DRAWING NO: 20241029	
QUALITY CONTROL: laolu		DATE: 2024-10-29		SCALE: G2		SHEET: 1 of 1	
RELEASED: laolu		DATE: 2024-10-29		DRAWING NO: 20241029		REV: 1	