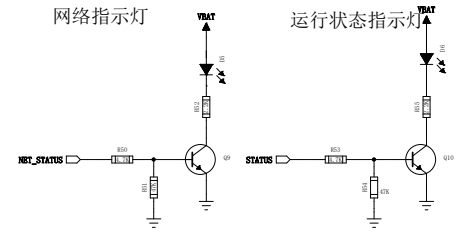
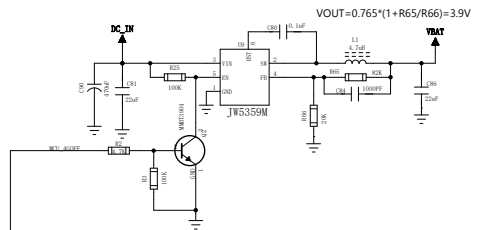


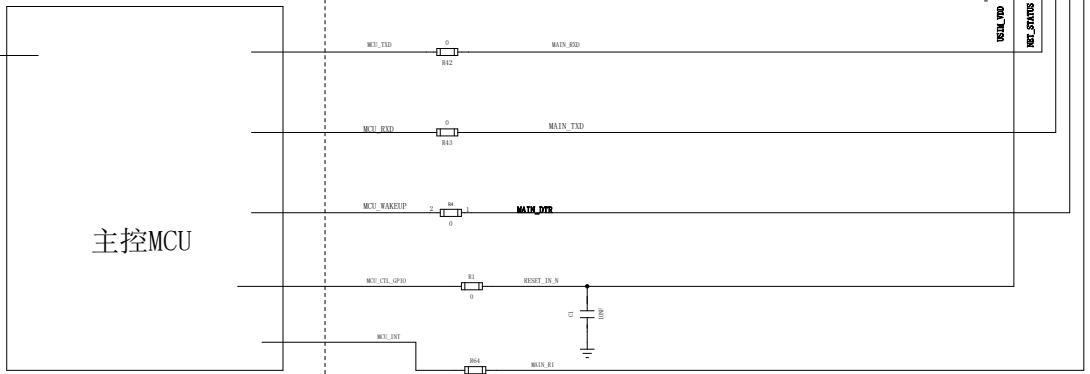
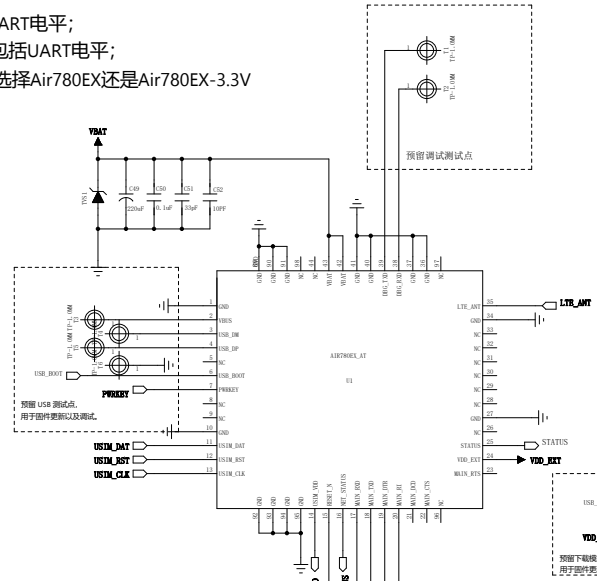
REVISION RECORD			
LV	REV NO.	APPROVED	DATE



特别提醒！！
 Air780EX提供两个IO电平版本：
 Air780EX，IO电平默认1.8V，包括UART电平；
 Air780EX-3.3V，IO电平默认3.3V，包括UART电平；
 大家可以根据自己主控MCU电平来选择Air780EX还是Air780EX-3.3V



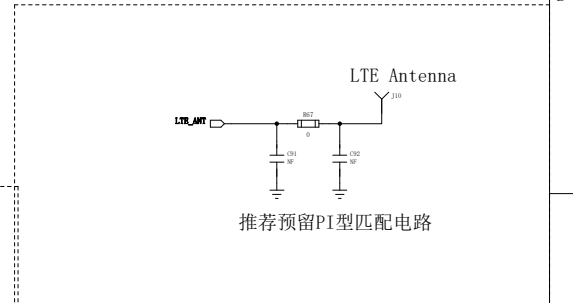
DCDC开关电源供电设计指导以及选型：
<https://docs.openluat.com/air780ex/at/hardware/design/power/>



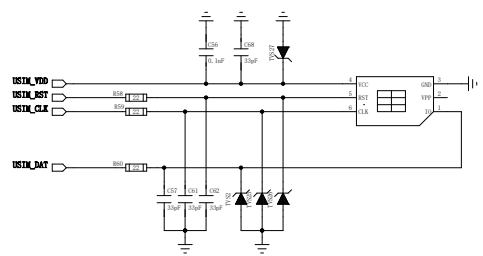
主控MCU

串口设计硬件指导：
<https://docs.openluat.com/air780ex/at/hardware/design/uart/>

开机以启动及外围电路设计指导：
<https://docs.openluat.com/air780ex/at/hardware/design/poweron/>



推荐预留P1型匹配电路



SIM卡接口设计指导
<https://docs.openluat.com/air780ex/at/hardware/design/sim/>

天线传输线设计指导
<https://docs.openluat.com/air780ex/at/hardware/design/ant/>

DRAWN: JJ		DATE: 2024-11-04		COMPANY: 上海合宙		
DESIGNED: laolu		DATE: 2024-11-05		TITLE: Air780EX用于AT指令使用方式时的参考设计		
QUALITY CONTROL: laolu		DATE: 2024-11-05		CORE: laolu	SIZE: A1	DRAWING NO: 20241105
RELEASED: laolu		DATE: 2024-11-05		SCALE: G2		REV: 1
				SHEET: 1 of 1		