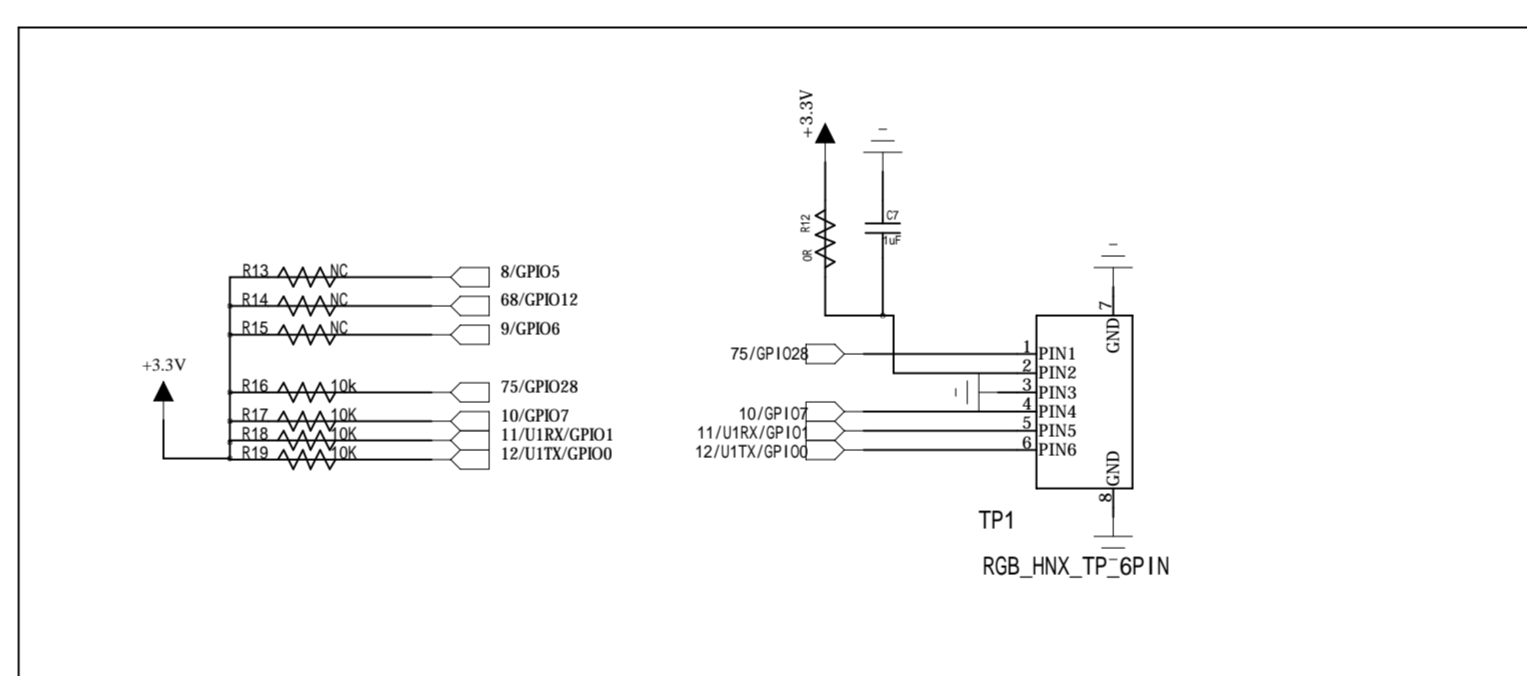
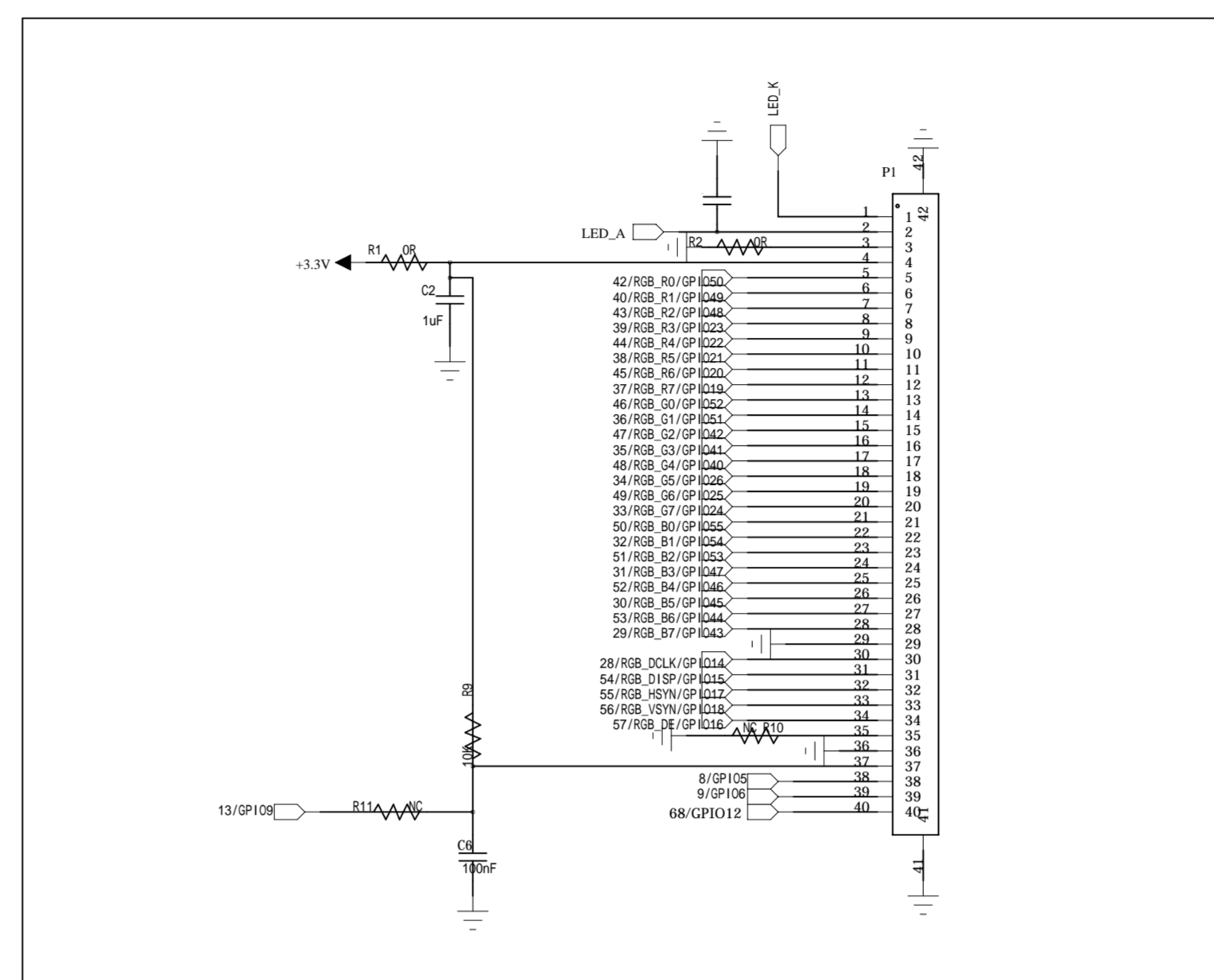
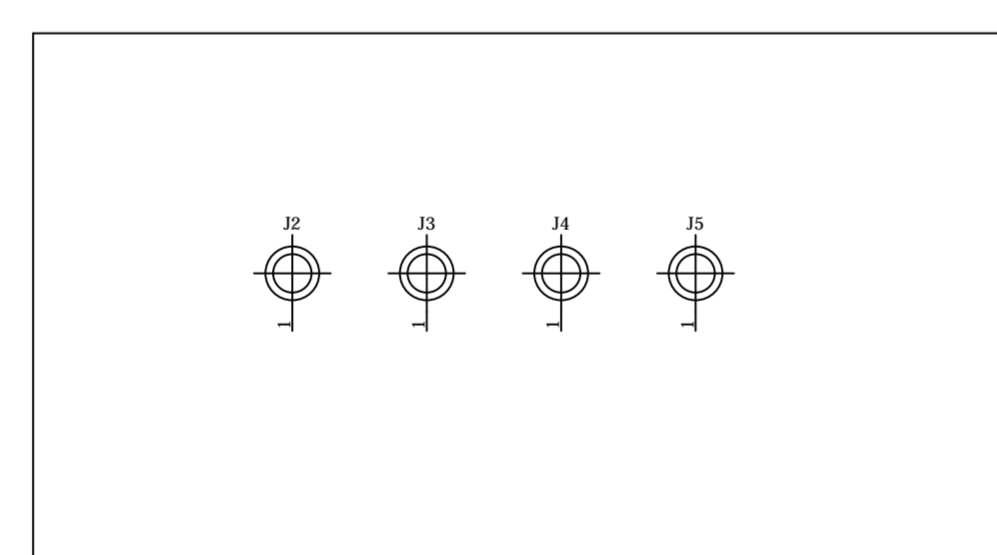
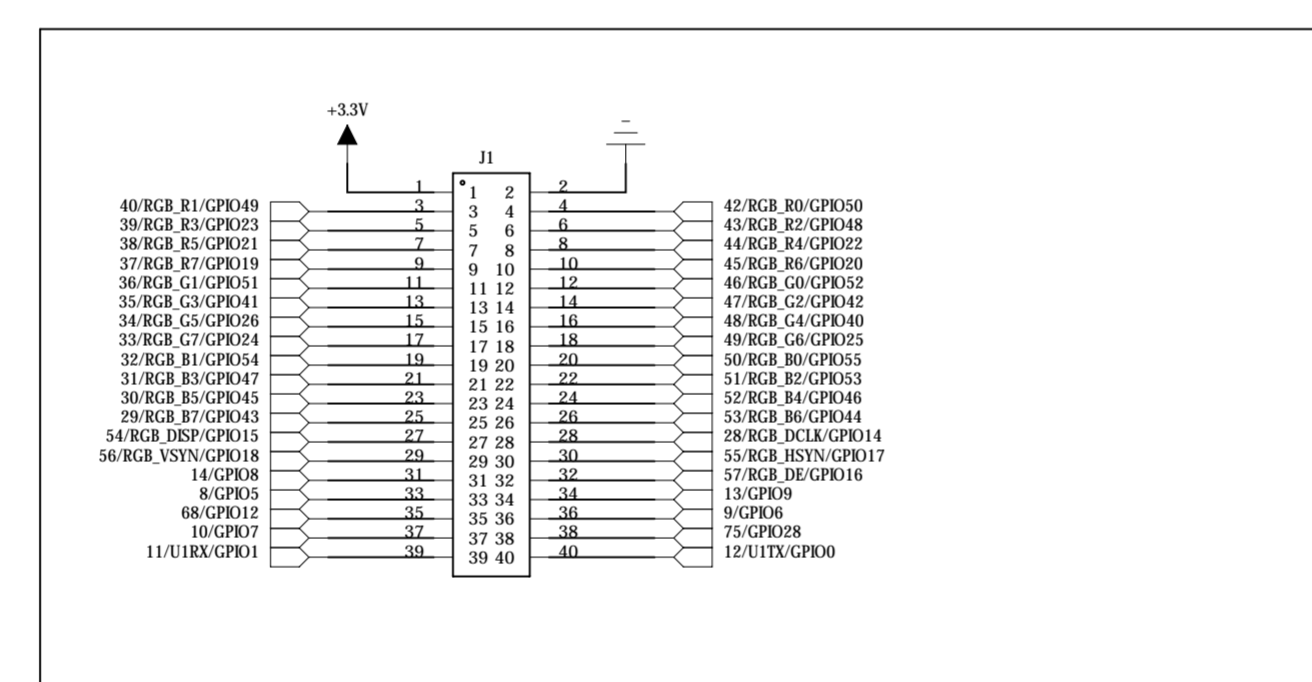
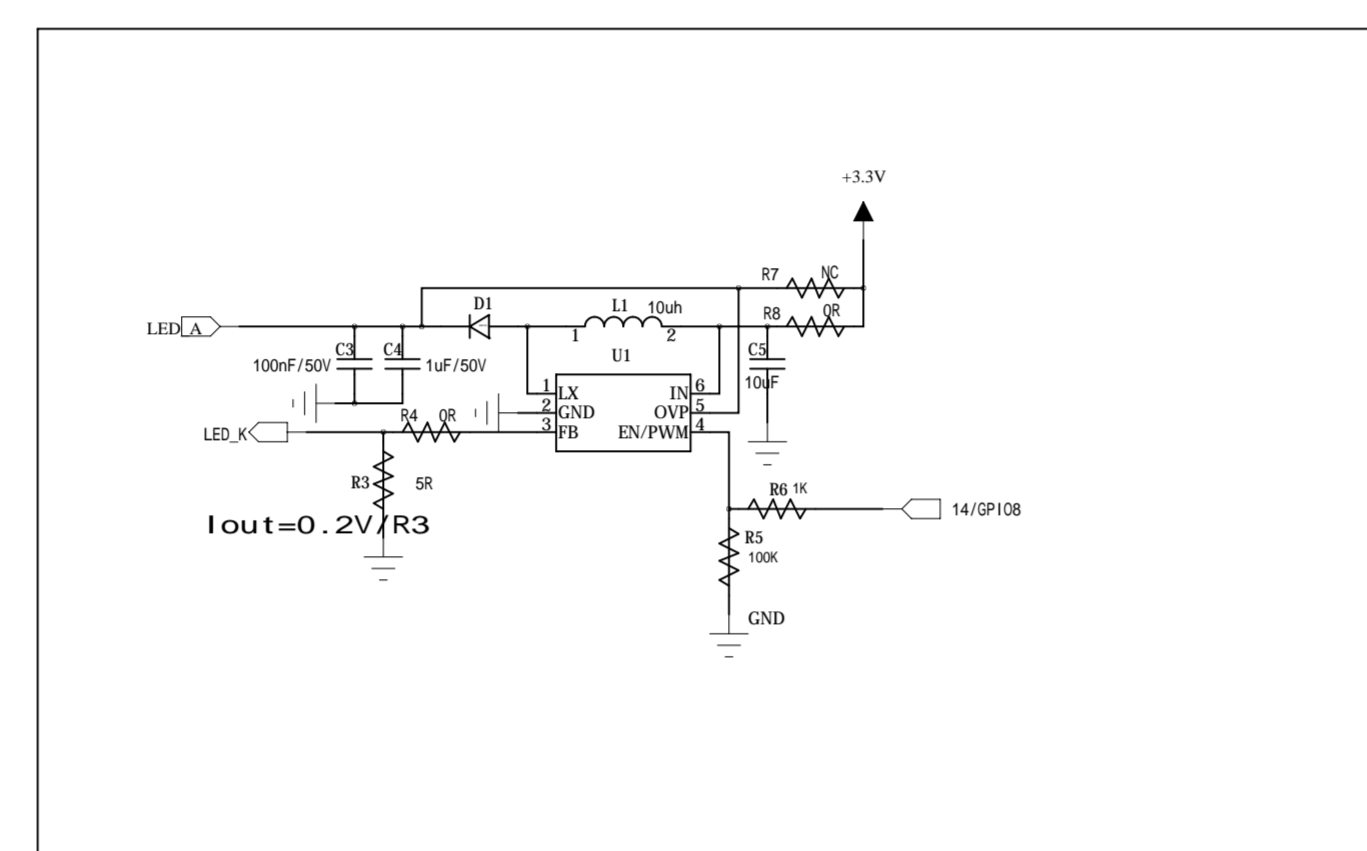


REVISION BLOCK			
REV	REV NO	APPROVED	DATE



COMPANY: <Company Name>		TITLE: <Title>	
DESIGN: <Design No>	DATE: <Drawn Date>	CODE: <Code>	SIZE: <Size>
DRAWN BY: <Drawn By>	CHECKED BY: <Checked By>	ISSUE NO: <Issue No>	REV: <Rev>
DATE: <Checked Date>	DATE: <QC Date>	A0 Drawing Number Revision	
RELEASED BY: <Released By>	DATE: <Release Date>	SCALE: <Scale>	SHEET: 1 of 1