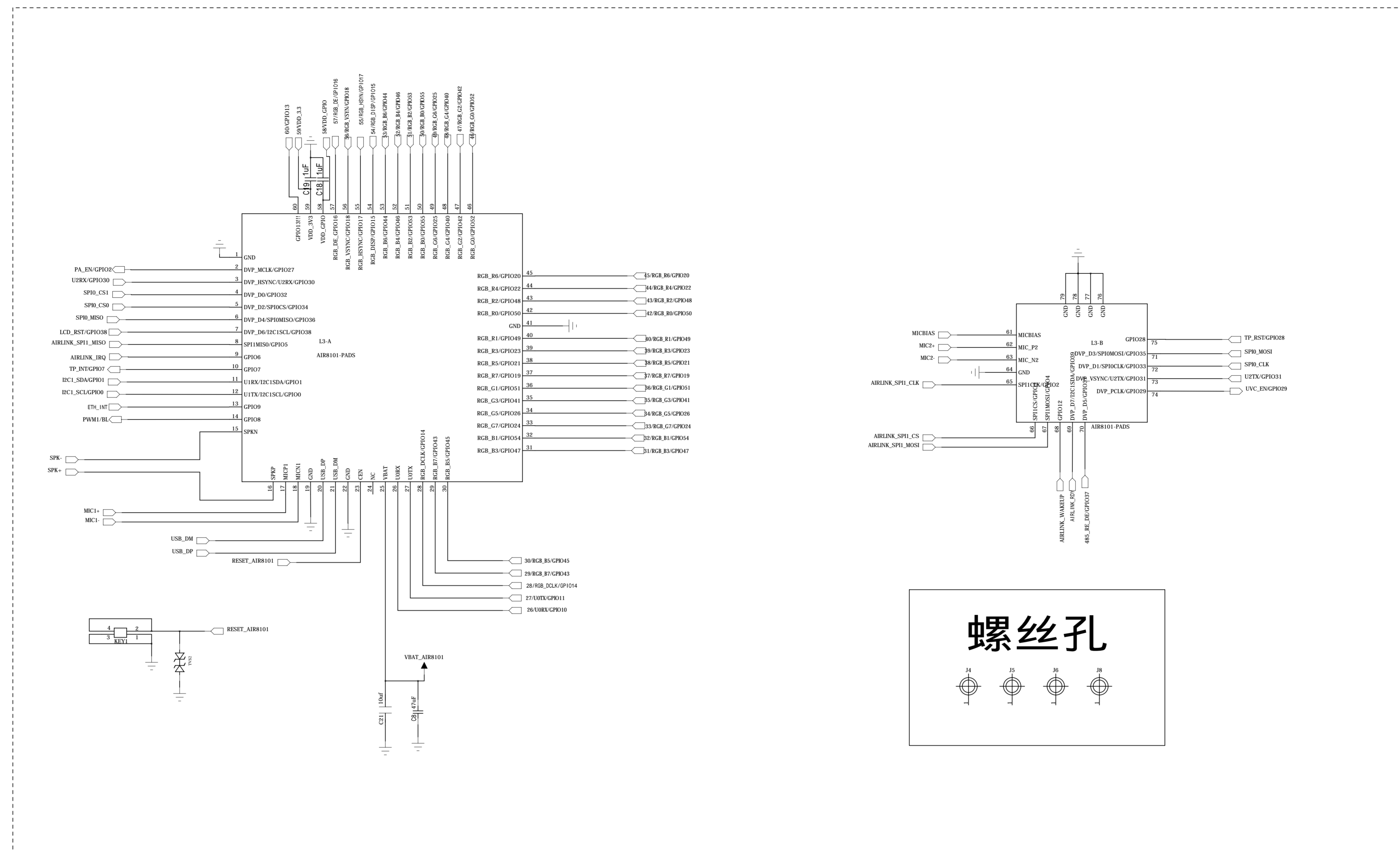


REVISION RECORD			
REV	REV NO.	APPROVED	DATE



DRAWN: <Drawn By>		DATE: <Drawn Date>		CHECKED: <Checked By>		DATE: <Checked Date>		QUALITY CONTROL: <QC By>		DATE: <QC Date>		RELEASED: <Released By>		DATE: <Release Date>	
COMPANY: <Company Name>		TITLE: <Title>													
CODE: <Code>	SIZE: A0	DRAWING NO: <Drawing Number>		REV: <Revision>		SCALE: <Scale>									
SHEET: 1 OF 11															

REVISION RECORD			
REV	REV NO	APPROVED	DATE

6

5

4

3

2

1

D

D

C

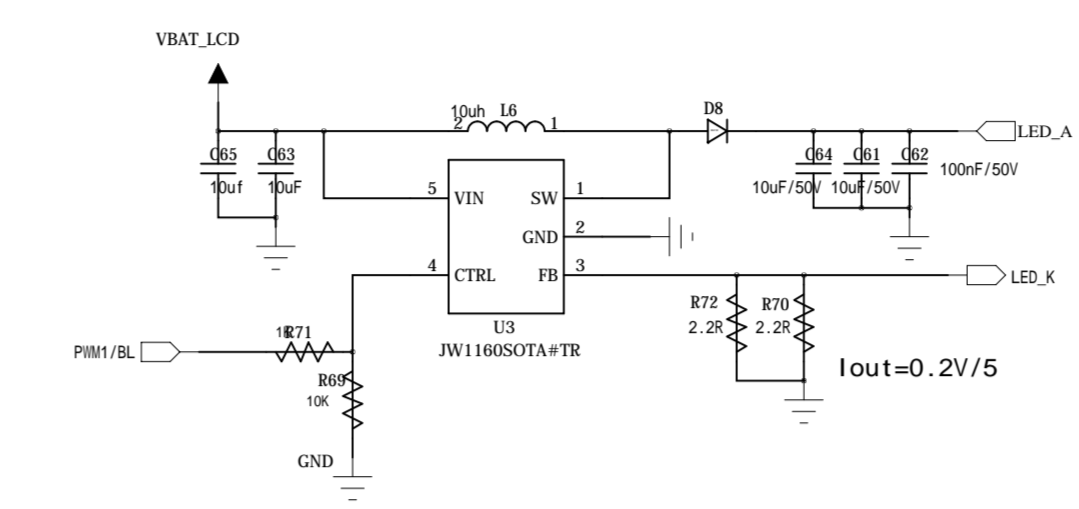
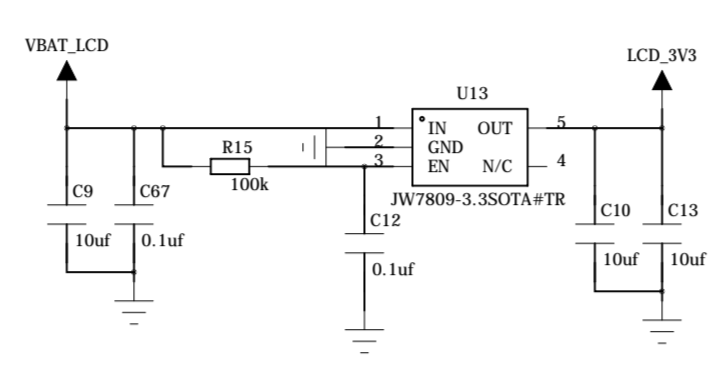
C

B

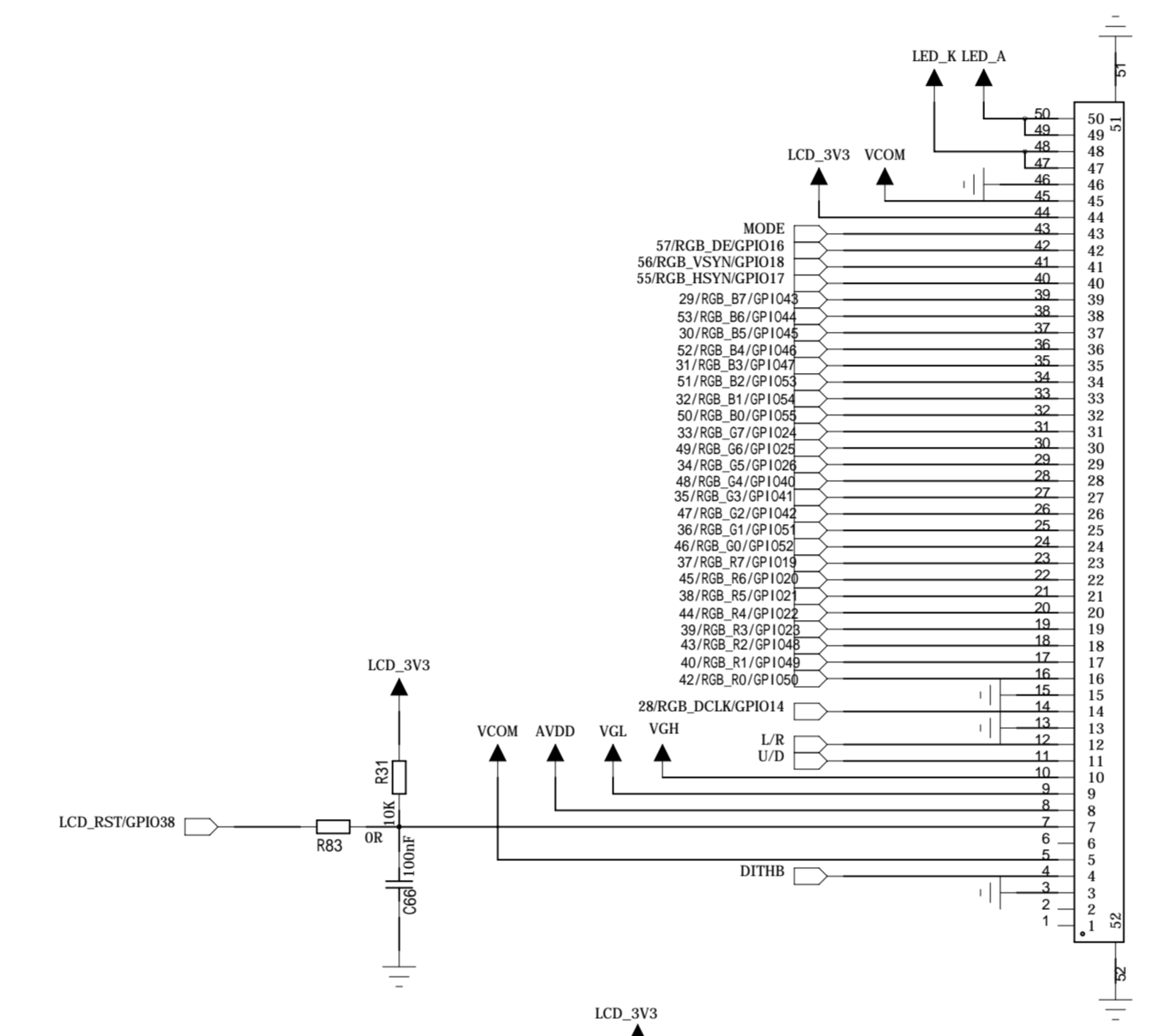
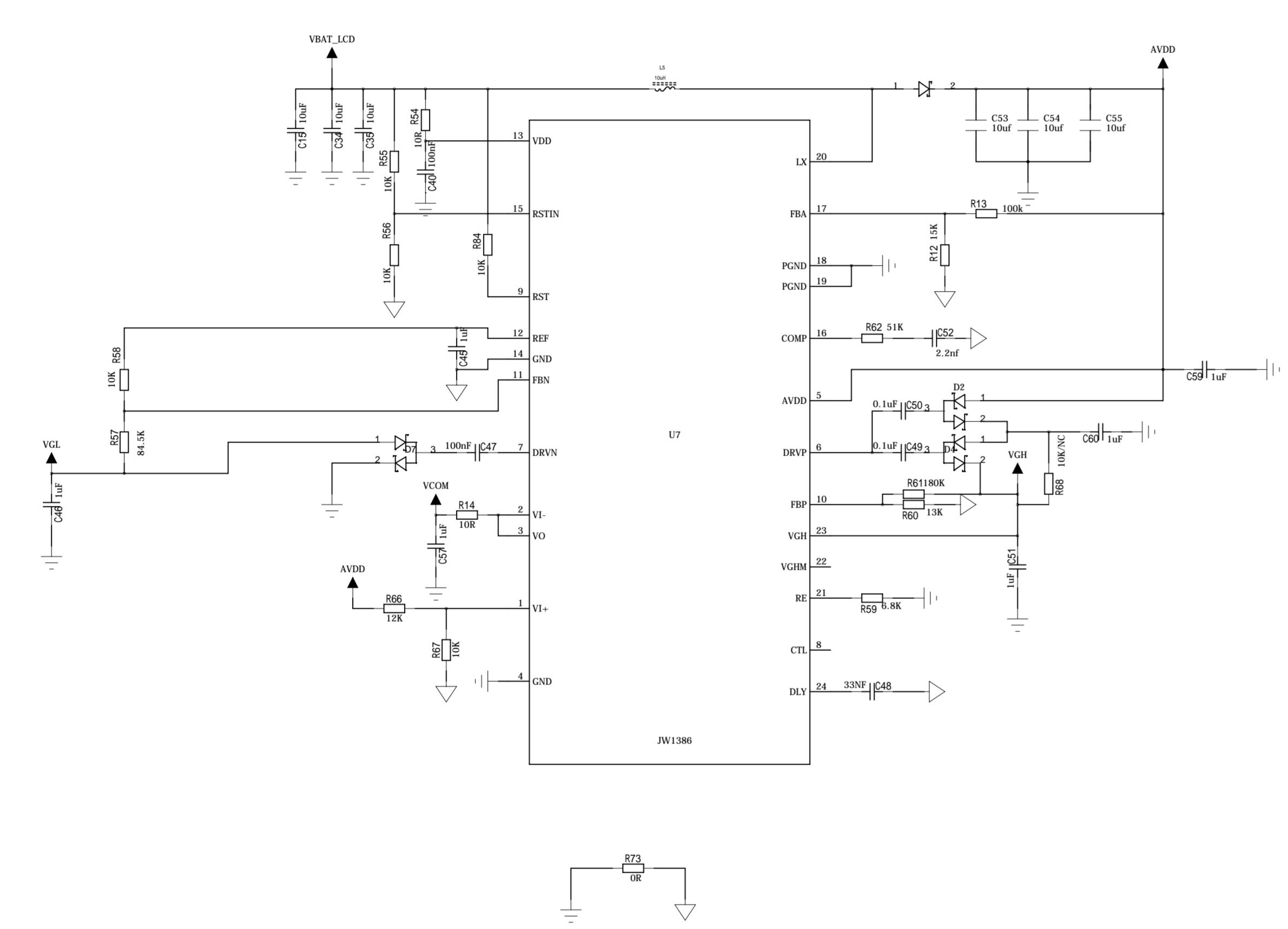
B

A

A

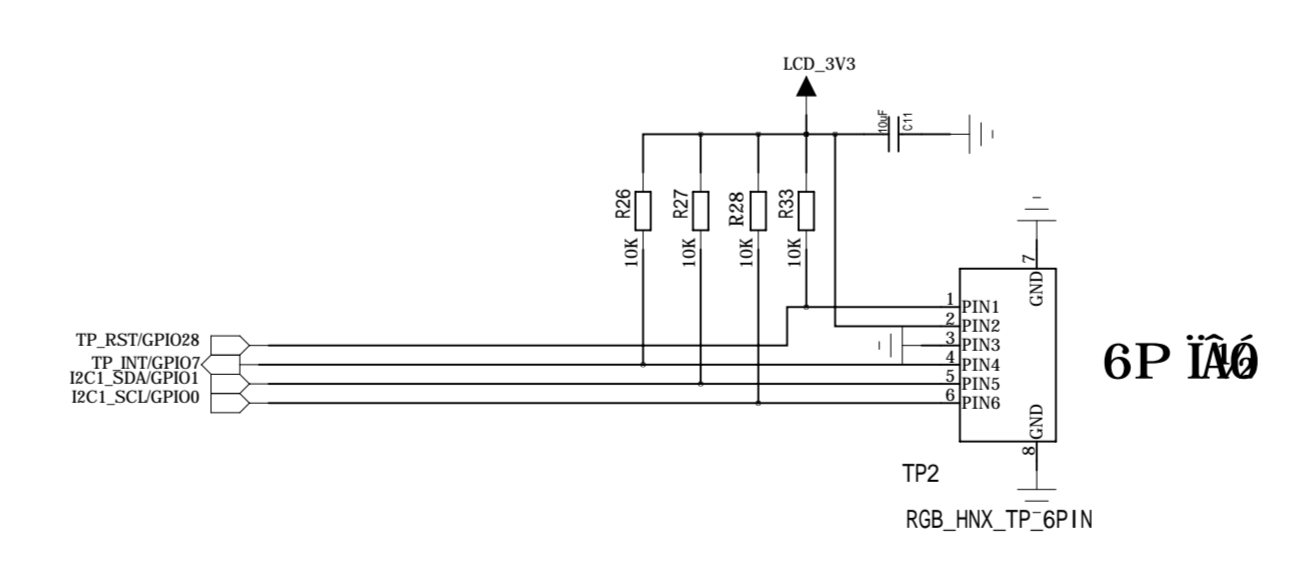
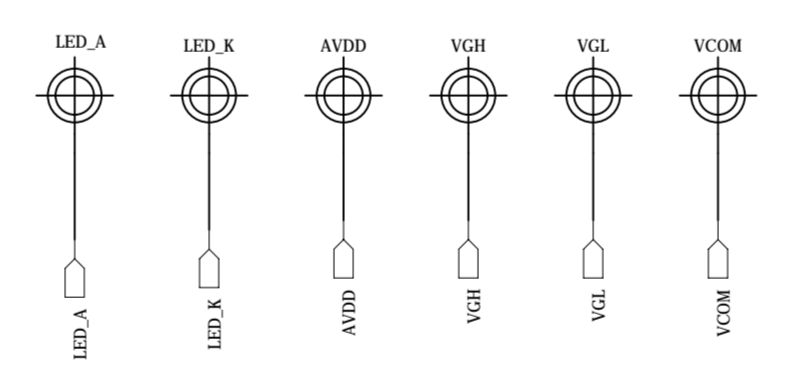


VGH:18.5V  
VGL:-8.2v  
AVDD:9.6V  
VCOM:4.2V

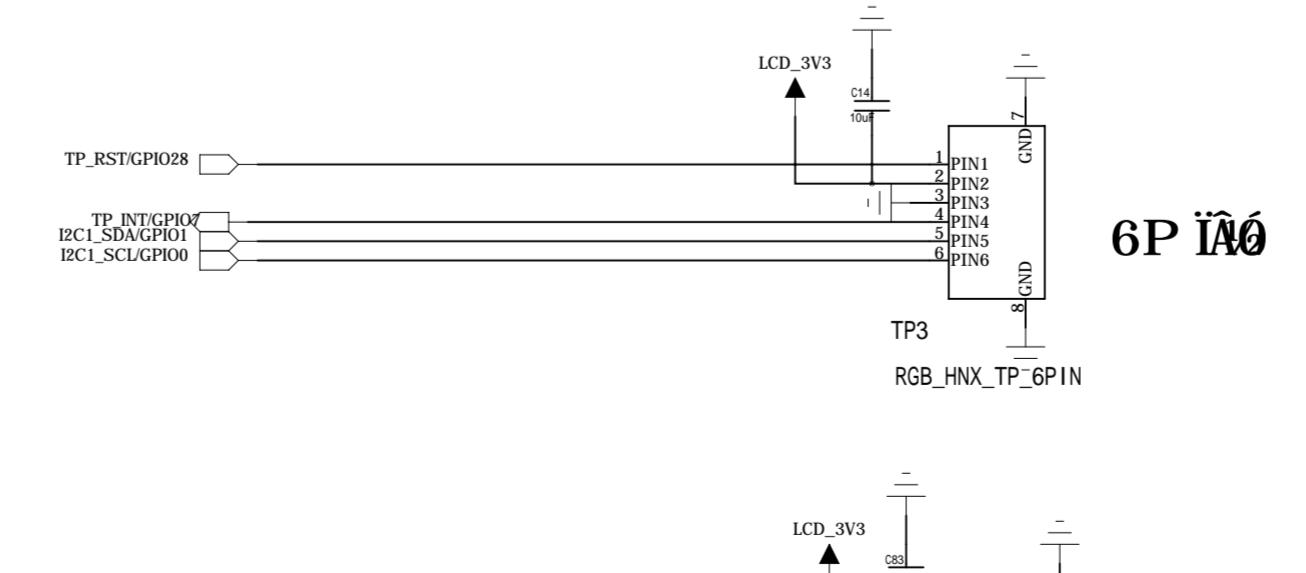


9'10' 50P

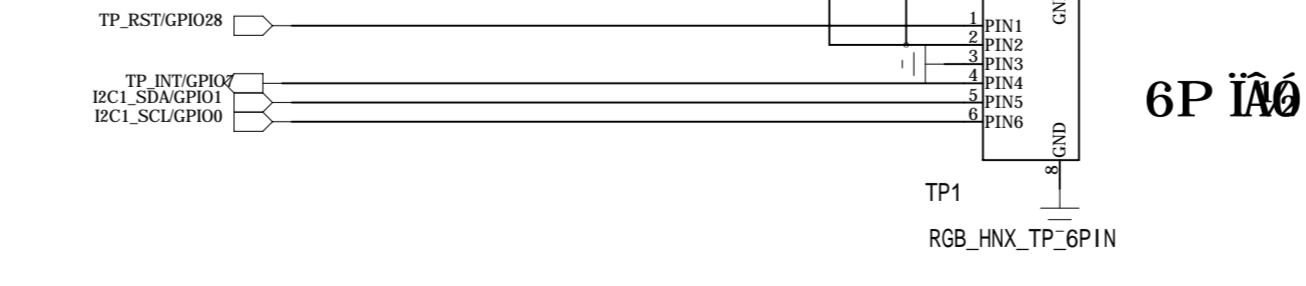
5'7' 40P



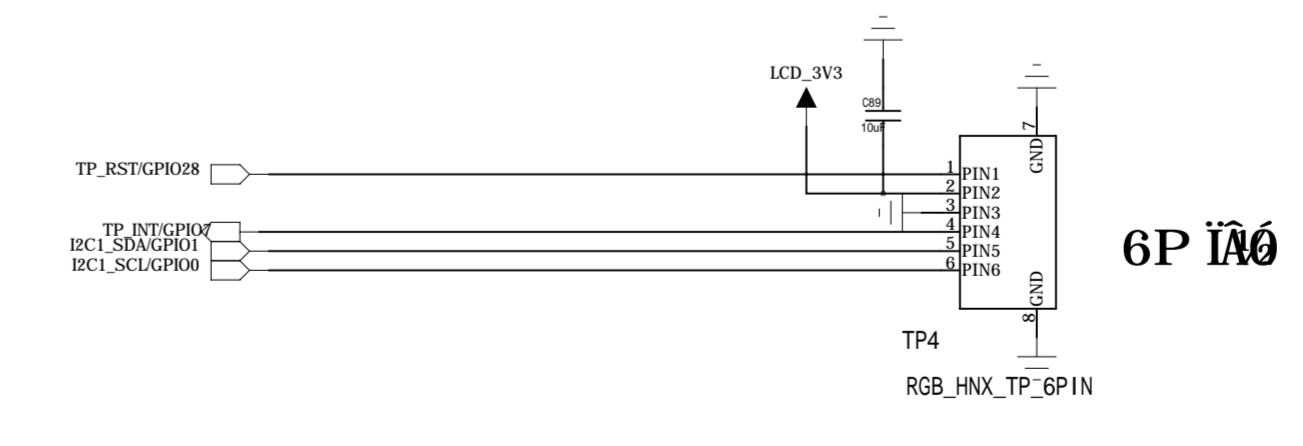
6P 1A0



6P 1A0



6P 1A0

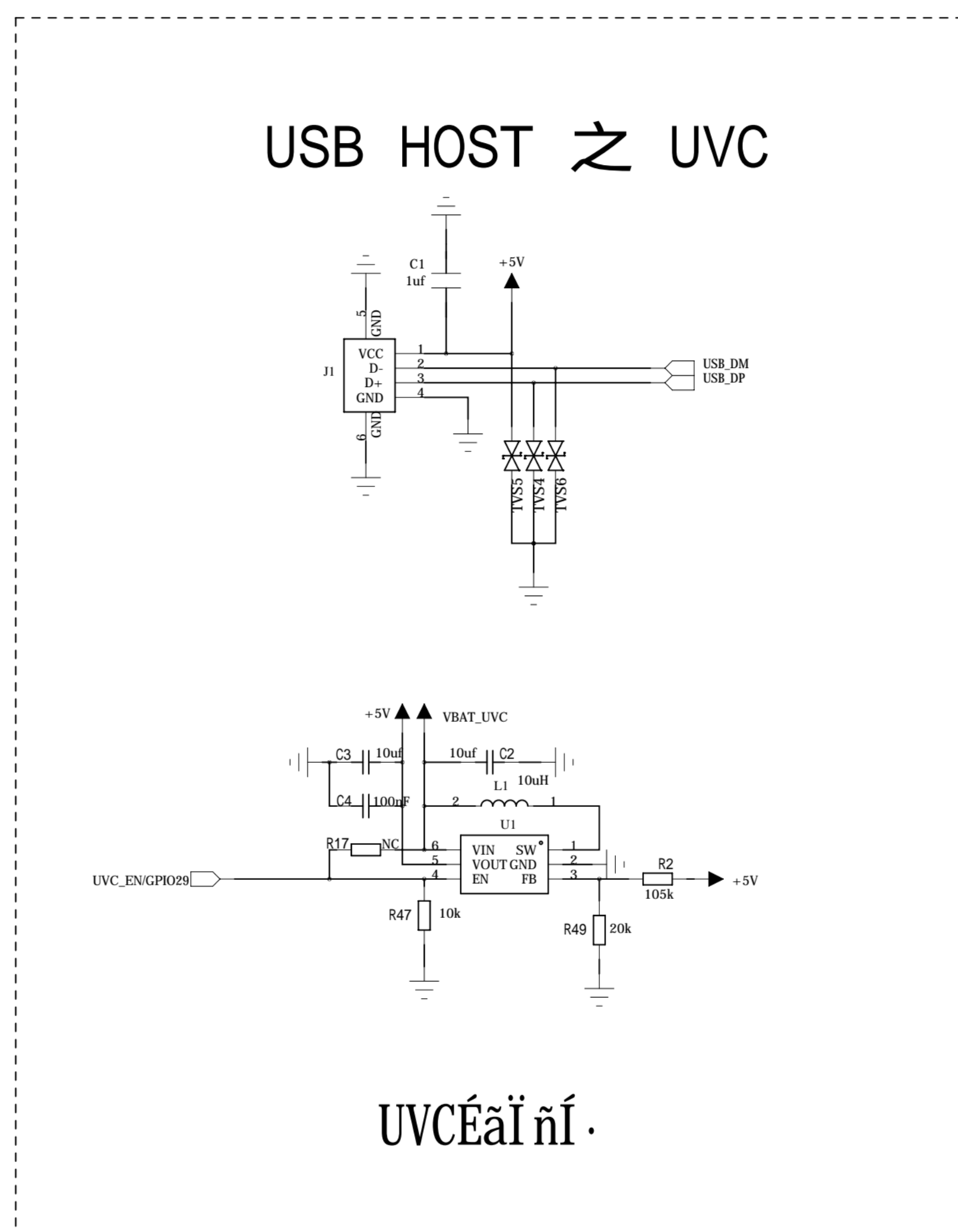


6P 1A0

COMPANY: <Company Name>	
TITLE: <Title>	
DRAWN: <Drawn By>	DATE: <Drawn Date>
CHECKED: <Checked By>	DATE: <Checked Date>
QUALITY CONTROL: <QC By>	DATE: <QC Date>
RELEASED: <Released By>	DATE: <Release Date>
SCALE: <Scale>	SHEET: 2 of 11

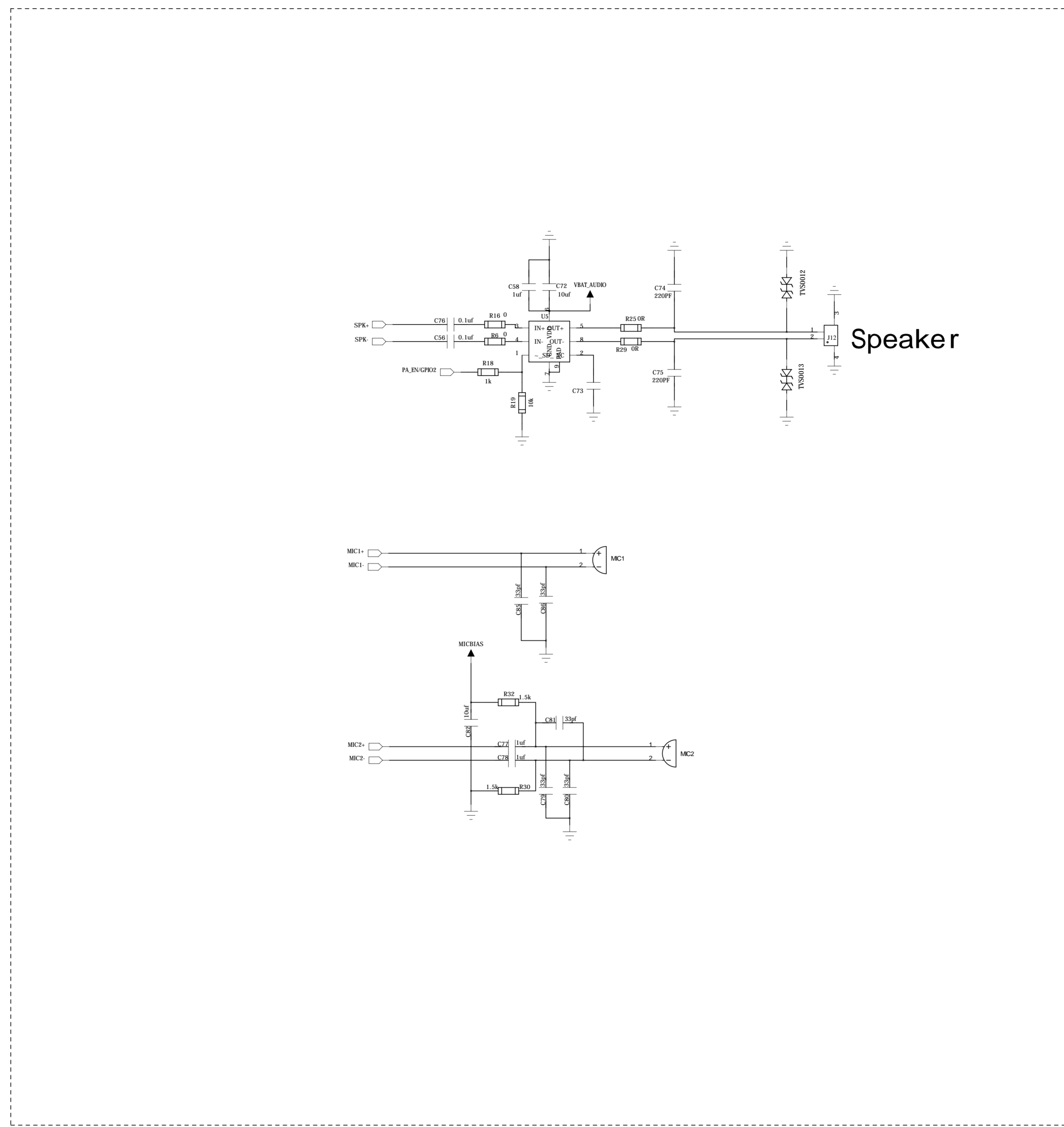
CODE	SIZE	DRAWING NO	REV
<Code>	A0	<Drawing Number>	<Revision>

REVISION RECORD			
REV	REV NO.	APPROVED	DATE



DRAWN: <Drawn By>		DATE: <Drawn Date>		COMPANY: <Company Name>			
CHECKED: <Checked By>		DATE: <Checked Date>		TITLE: <Title>			
QUALITY CONTROL: <QC By>		DATE: <QC Date>		CODE: <Code>	SIZE: A0	DRAWING NO: <Drawing Number>	REV: <Revision>
RELEASED: <Released By>		DATE: <Release Date>		SCALE: <Scale>		SHEET: 3 of 11	

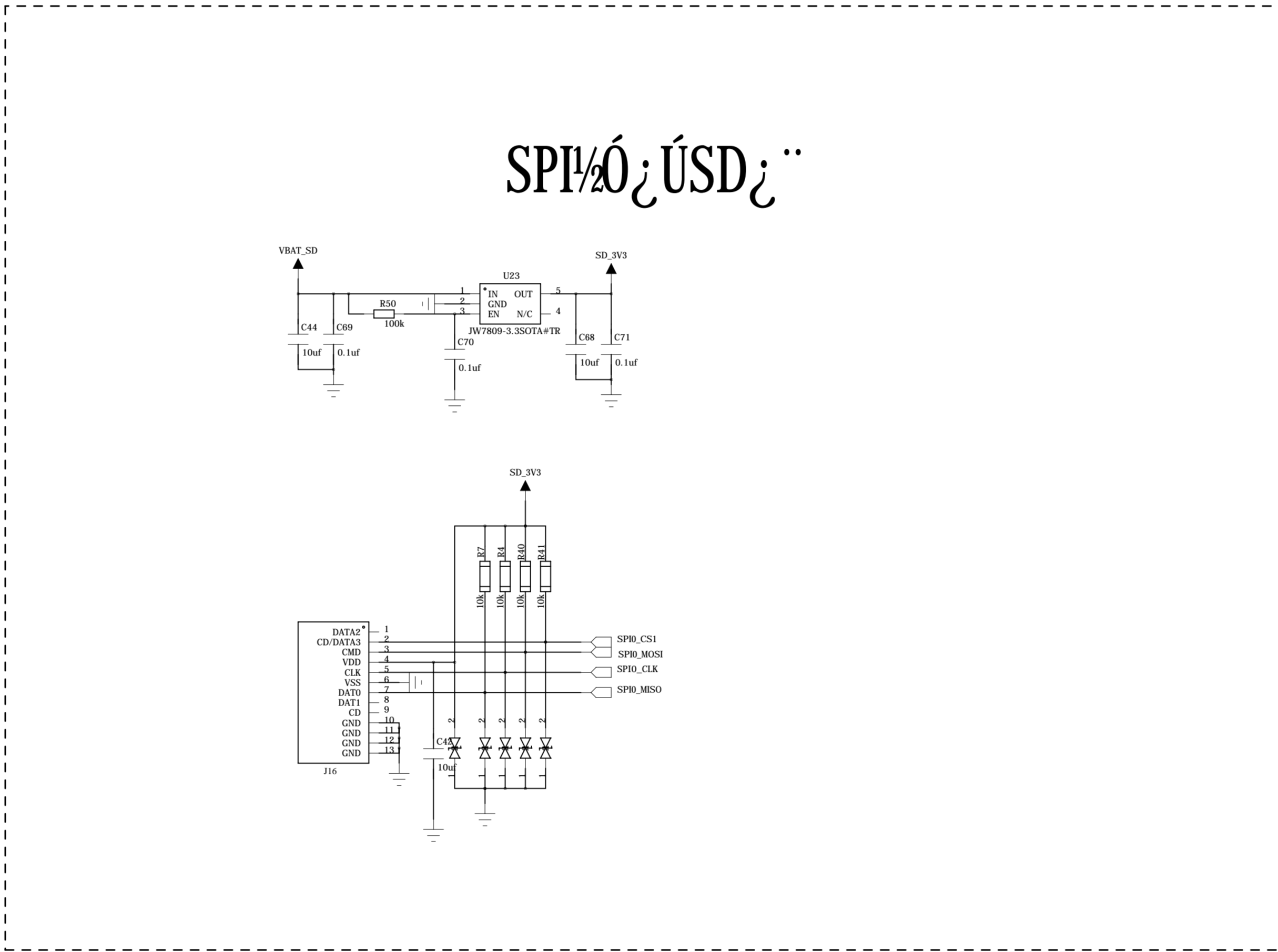
REVISION RECORD			
REV	REV NO.	APPROVED	DATE



Speaker

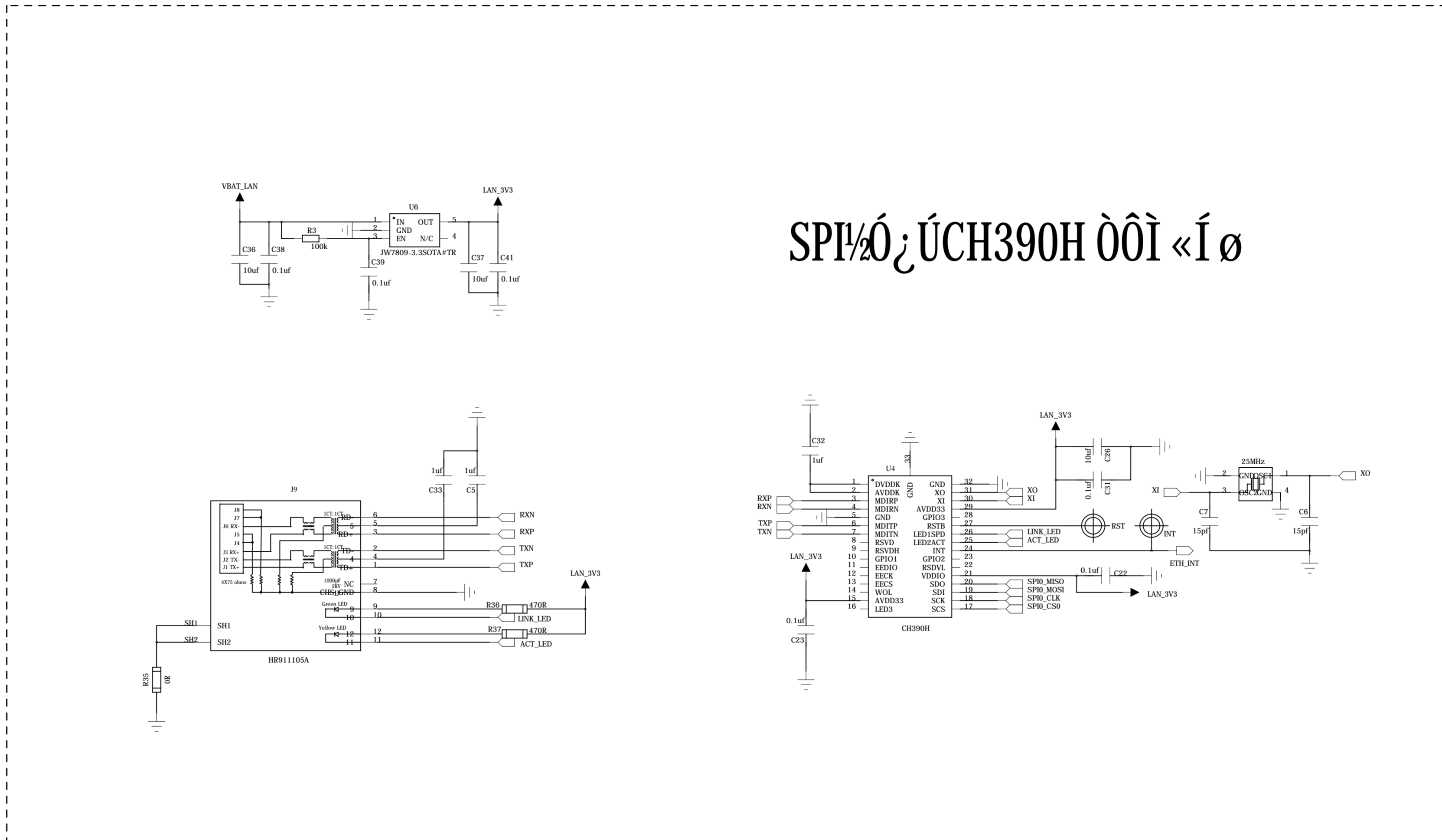
DRAWN: <Drawn By>		DATE: <Drawn Date>		COMPANY: <Company Name>	
CHECKED: <Checked By>		DATE: <Checked Date>		TITLE: <Title>	
QUALITY CONTROL: <QC By>		DATE: <QC Date>		CODE: <Code>	SIZE: A0
RELEASED: <Released By>		DATE: <Release Date>		DRAWING NO: <Drawing Number>	
SCALE: <Scale>		SHEET: 4 of 11		REV: <Revision>	

REVISION RECORD			
REV	REV NO.	APPROVED	DATE



DRAWN: <Drawn By>		DATE: <Drawn Date>		COMPANY: <Company Name>	
CHECKED: <Checked By>		DATE: <Checked Date>		TITLE: <Title>	
QUALITY CONTROL: <QC By>		DATE: <QC Date>		CODE: <Code>	SIZE: A0
RELEASED: <Released By>		DATE: <Release Date>		DRAWING NO: <Drawing Number>	
		SCALE: <Scale>		REV: <Revision>	
SHEET 5 OF 11					

REVISION RECORD			
REV	REV NO.	APPROVED	DATE

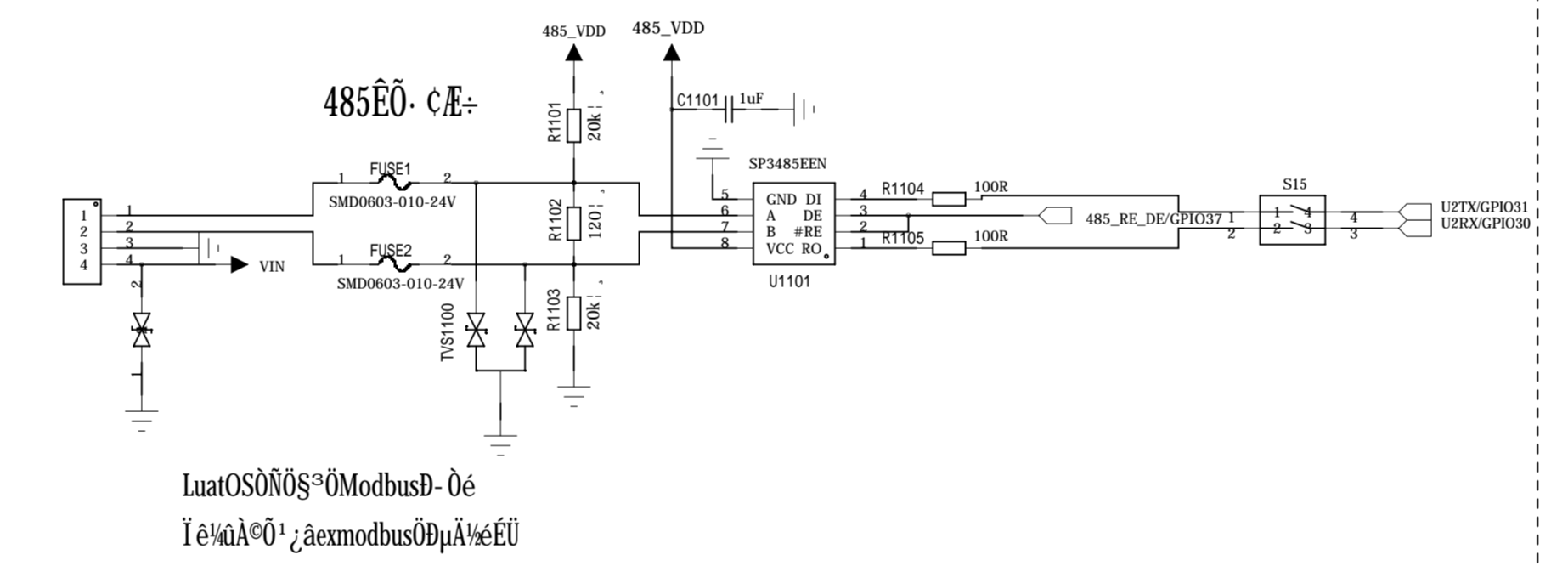
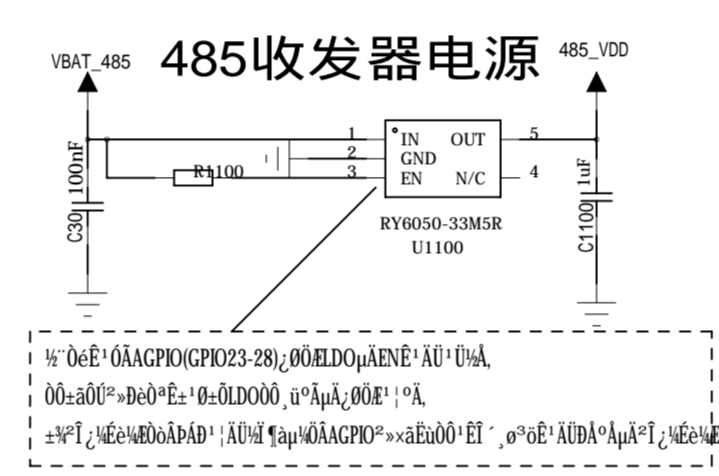


SP1/0; ÚCH390H òòÌ «Í ø

DRAWN: <Drawn By>		DATE: <Drawn Date>		COMPANY: <Company Name>	
CHECKED: <Checked By>		DATE: <Checked Date>		TITLE: <Title>	
QUALITY CONTROL: <QC By>		DATE: <QC Date>		CODE: <Code>	SIZE: A0
RELEASED: <Released By>		DATE: <Release Date>		DRAWING NO: <Drawing Number>	
SCALE: <Scale>				REV: <Revision>	
SHEET 6 OF 11					

REVISION RECORD			
REV	REV NO.	APPROVED	DATE

## UART TO 485

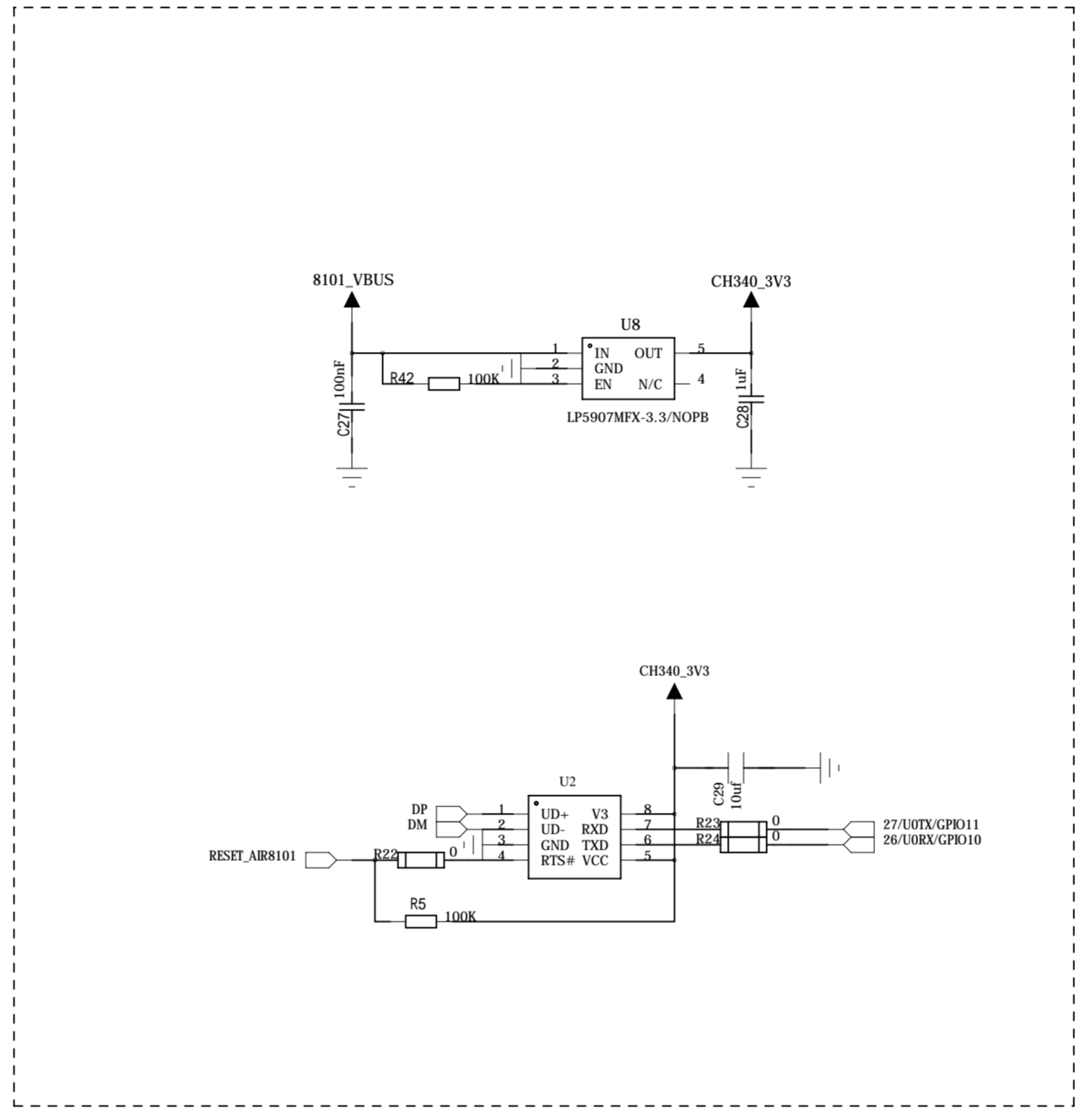


UART 收发器  
UART Transceiver

DRAWN: <Drawn By>		DATE: <Drawn Date>		COMPANY: <Company Name>	
CHECKED: <Checked By>		DATE: <Checked Date>		TITLE: <Title>	
QUALITY CONTROL: <QC By>		DATE: <QC Date>		CYCLE	SIZE
RELEASED: <Released By>		DATE: <Release Date>		DRAWING NO.	
SCALE: <Scale>		SHEET: 7 of 11		REV:	

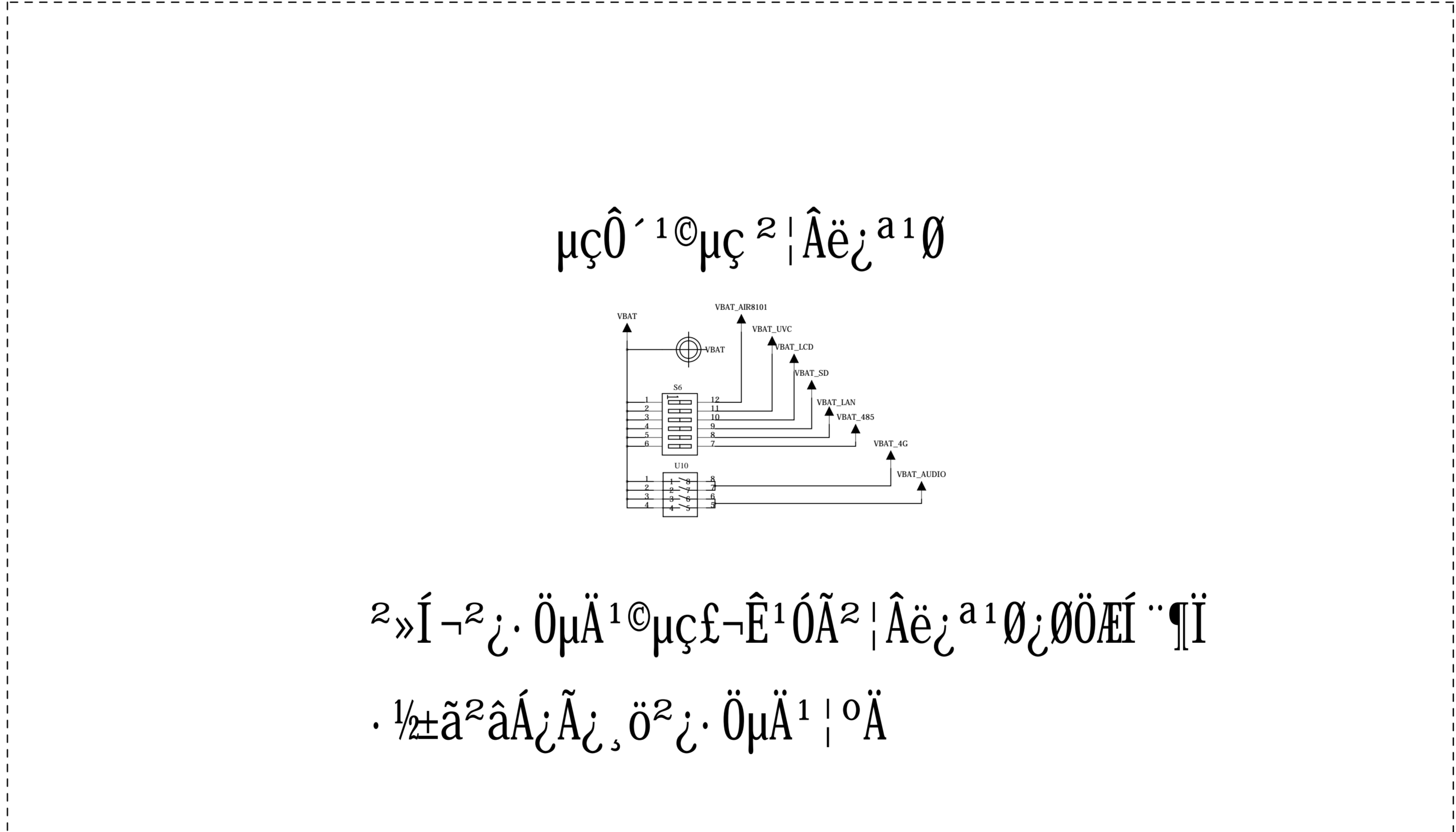
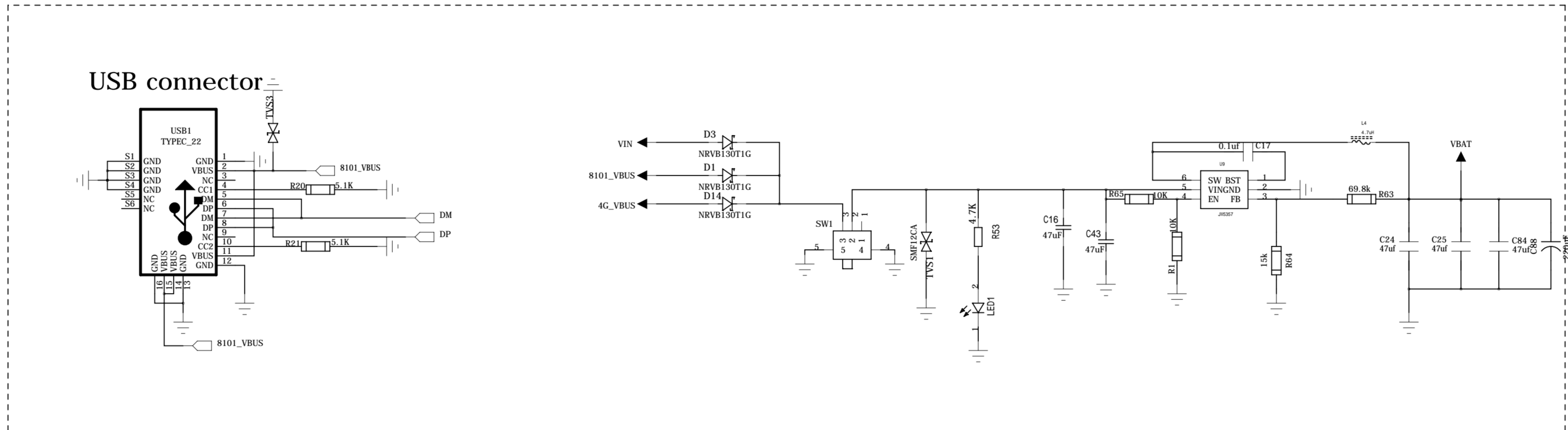
<Code> A0 <Drawing Number> Revision

REVISION RECORD			
REV	REV NO.	APPROVED	DATE



DRAWN: <Drawn By>		DATE: <Drawn Date>		COMPANY: <Company Name>	
CHECKED: <Checked By>		DATE: <Checked Date>		TITLE: <Title>	
QUALITY CONTROL: <QC By>		DATE: <QC Date>		CODE: <Code>	SIZE: A0
RELEASED: <Released By>		DATE: <Release Date>		DRAWING NO: <Drawing Number> REVISION: <Revision>	
SCALE: <Scale>				SHEET: 8 of 11	

REVISION RECORD			
REV	REV NO.	APPROVED	DATE



DRAWN: <Drawn By>		DATE: <Drawn Date>		COMPANY: <Company Name>	
CHECKED: <Checked By>		DATE: <Checked Date>		TITLE: <Title>	
QUALITY CONTROL: <QC By>		DATE: <QC Date>		CYCLE	SIZE
RELEASED: <Released By>		DATE: <Release Date>		DRAWING NO.	
		SCALE: <Scale>		REV:	

6

5

4

3

2

1

D

D

C

C

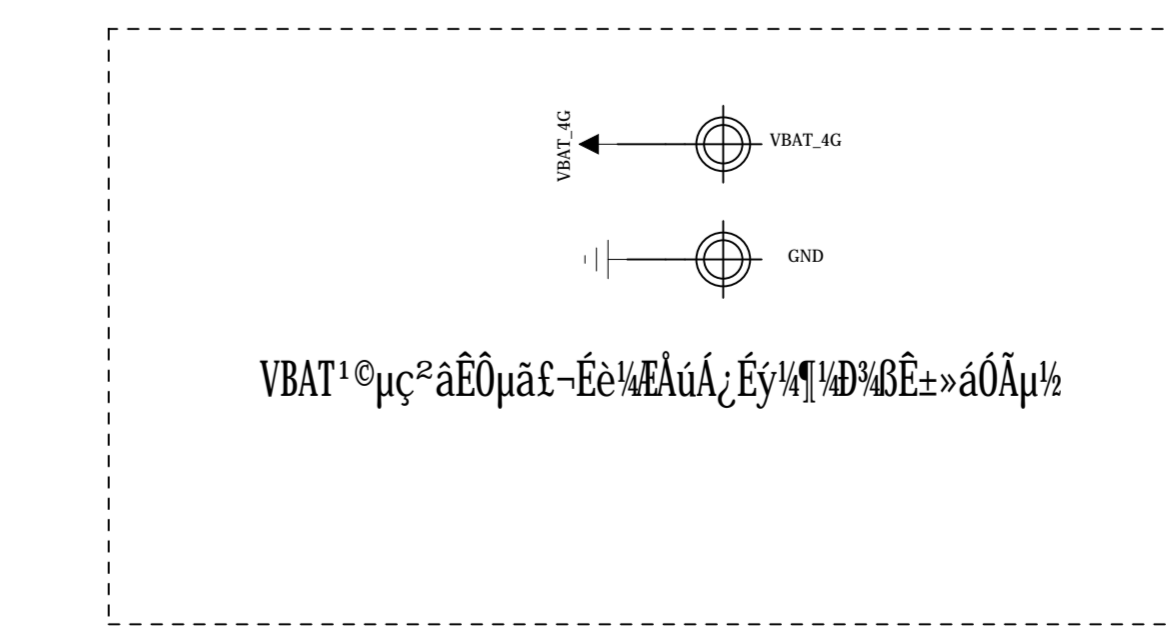
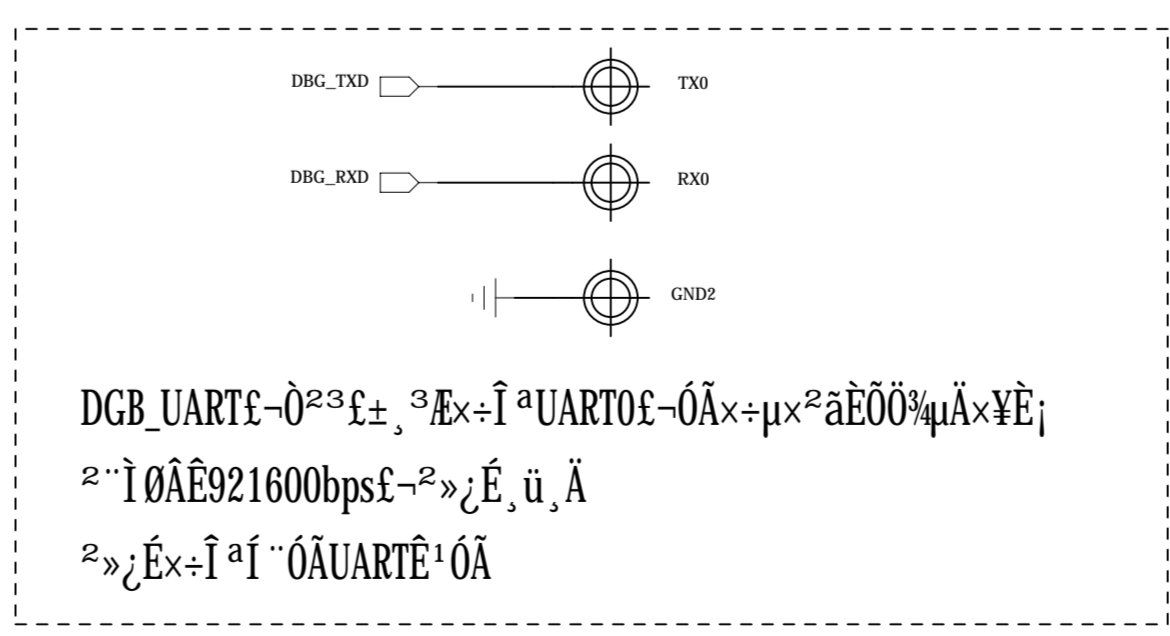
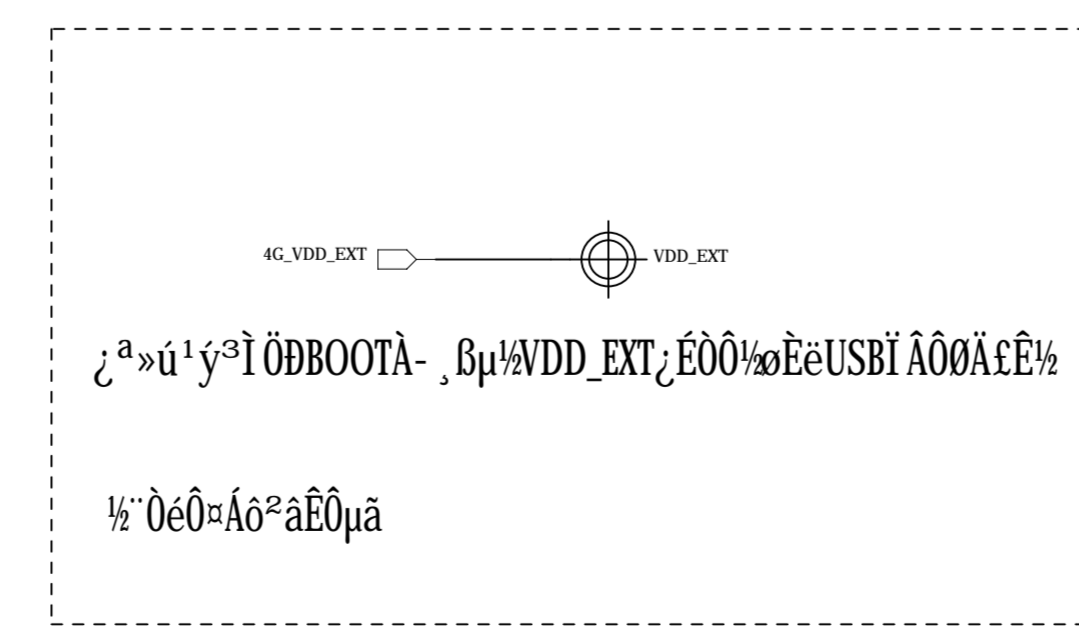
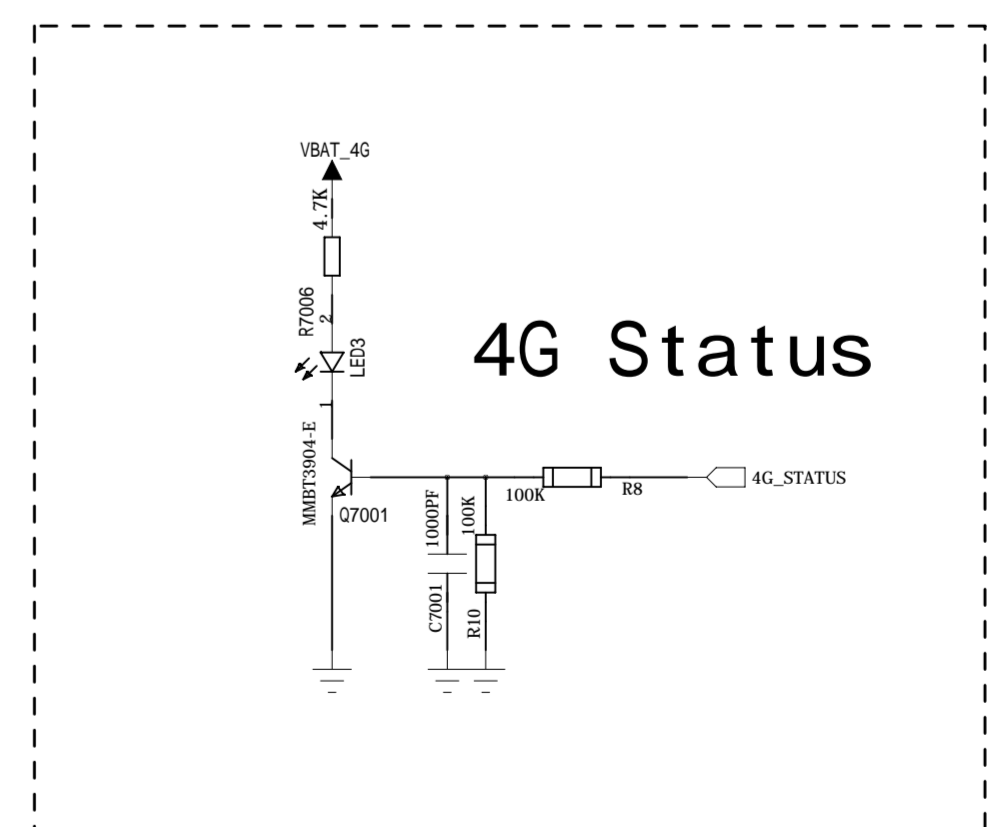
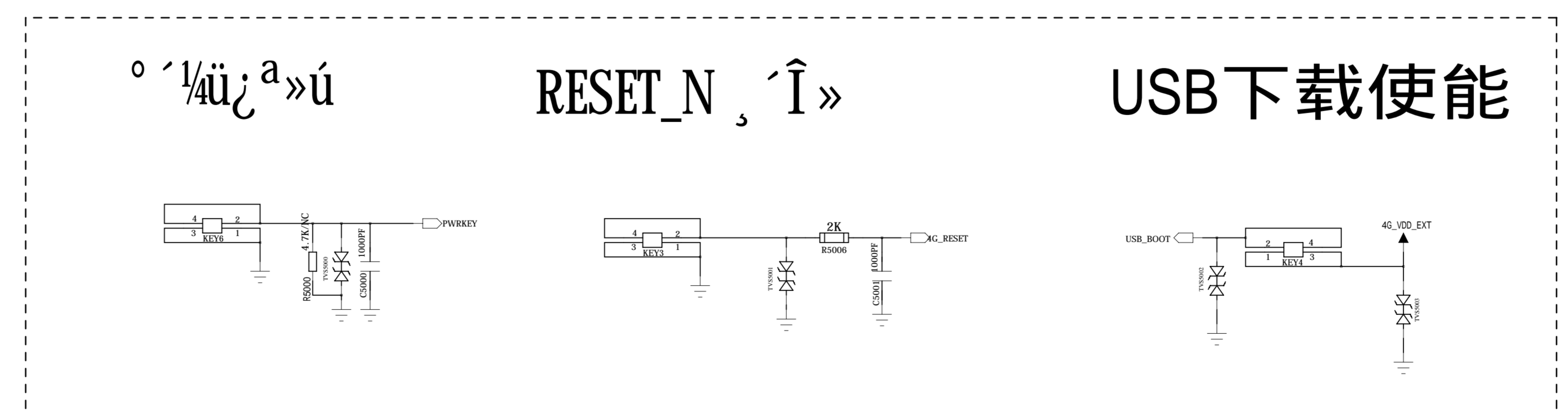
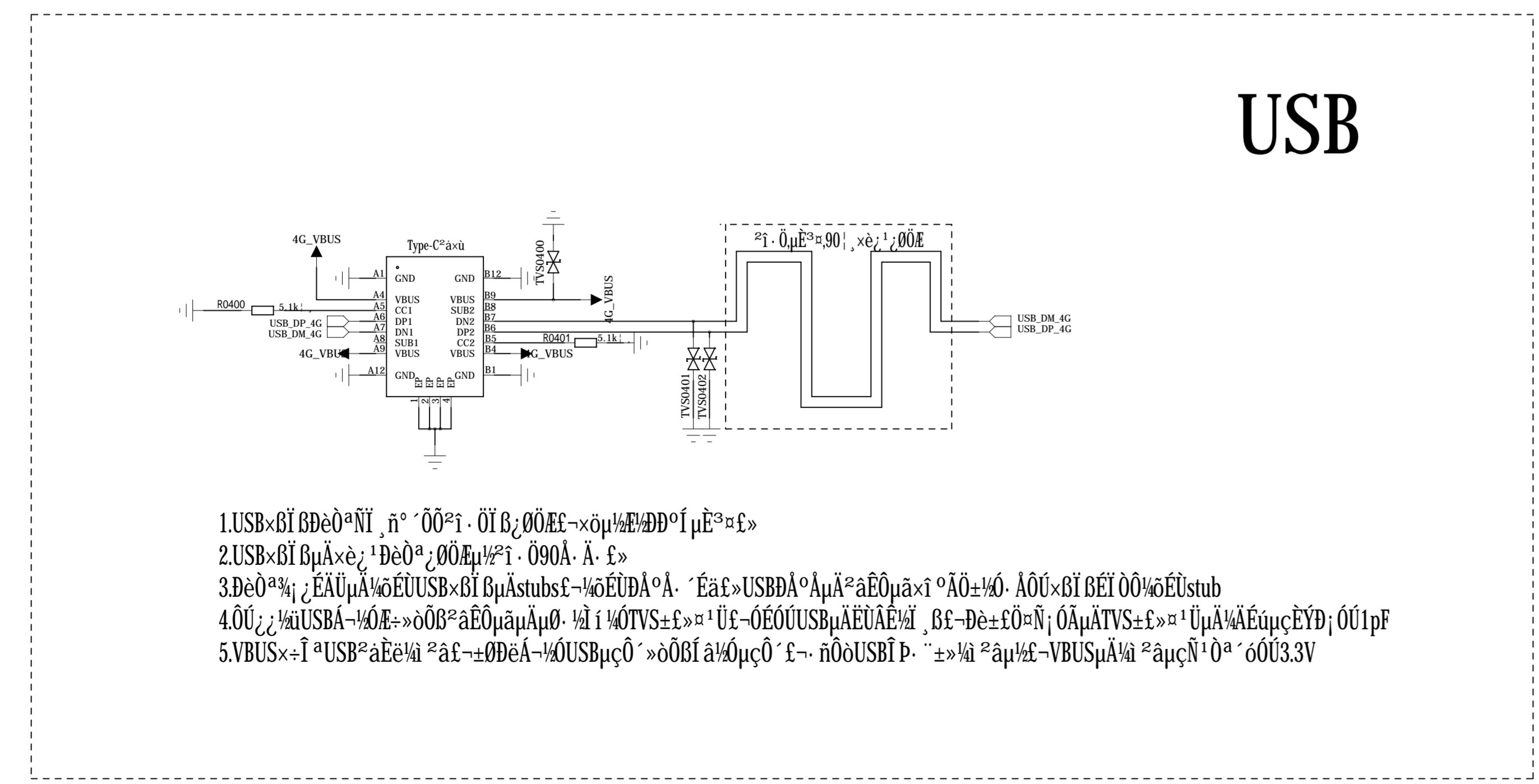
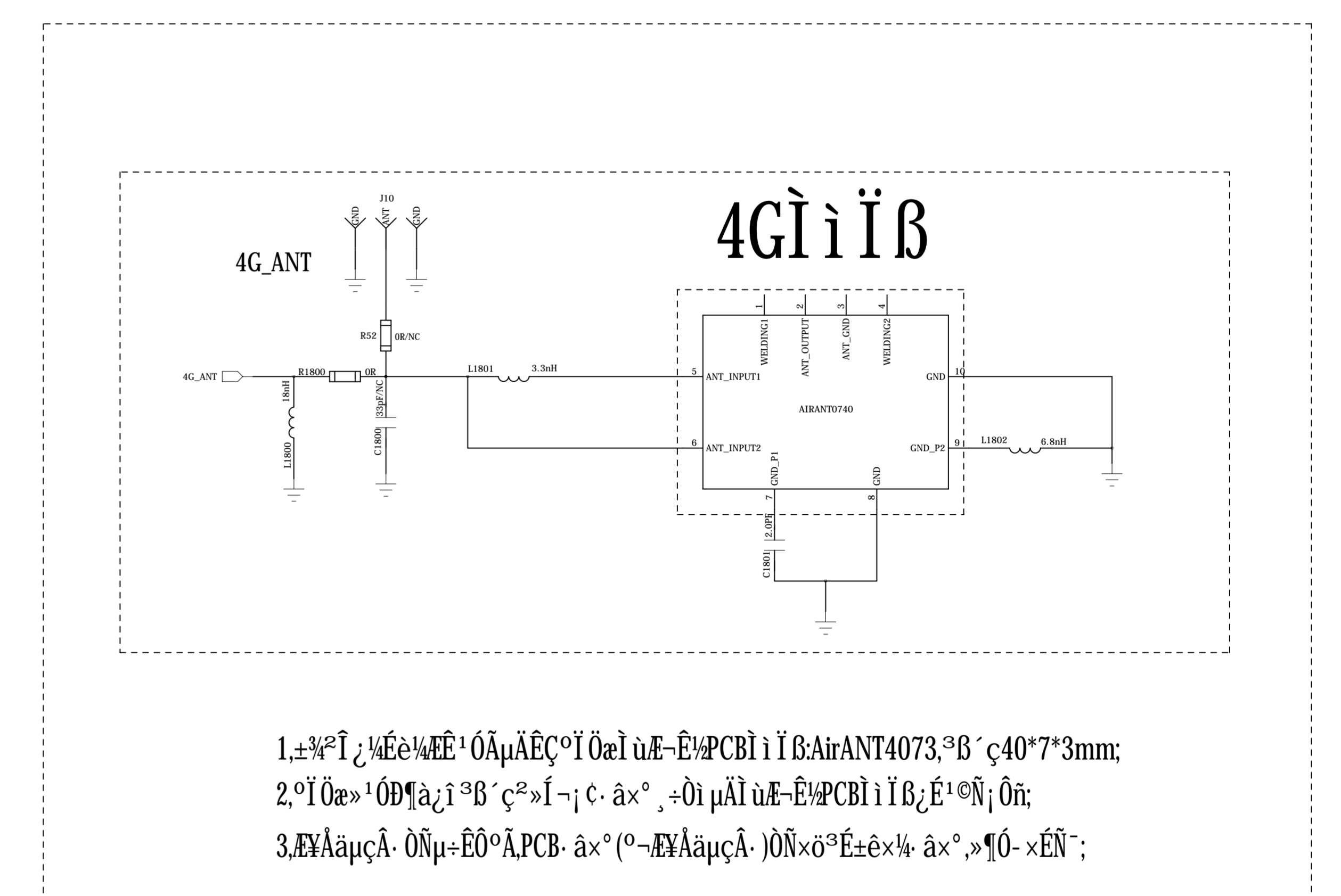
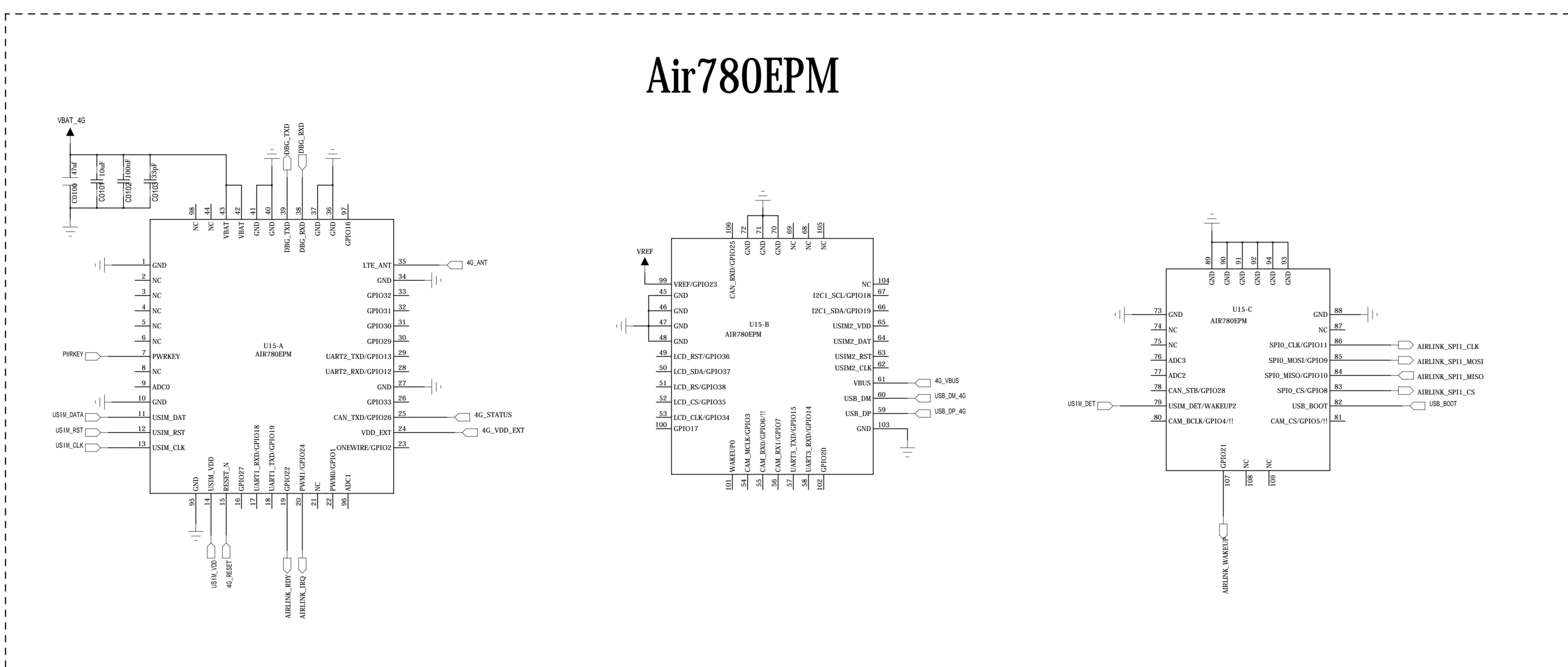
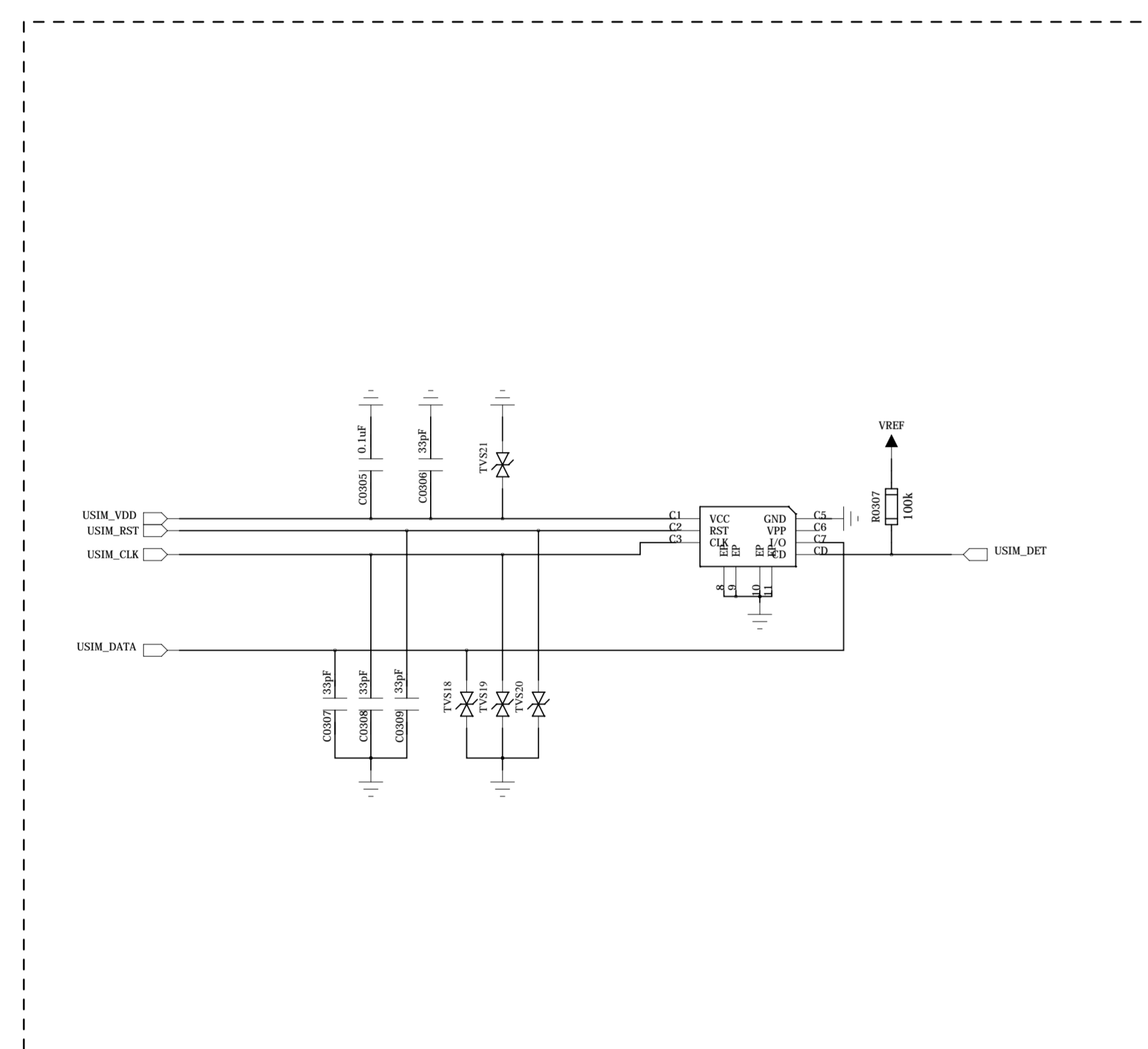
B

B

A

A

REVISION RECORD			
TYPE	REV. NO.	APPROVED	DATE



DRAWN: <Drawn By>		DATE: <Drawn Date>		COMPANY: <Company Name>	
CHECKED: <Checked By>		DATE: <Checked Date>		TITLE: <Title>	
QUALITY CONTROL: <QC By>		DATE: <QC Date>		CODE: <Code>	SIZE: A0 <Drawing Number>
RELEASED: <Released By>		DATE: <Release Date>		SCALE: <Scale>	REV: 11

REVISION RECORD			
REV	REV NO.	APPROVED	DATE

ZYUWCP001	1	1	2	WBAT
ZYUWCP002	1	1	2	WV
ZYUWCP003	1	1	2	WV00.33
ZYUWCP004	1	1	2	WV00.33
ZYUWCP005	1	1	2	WV00.33
ZYUWCP006	1	1	2	WV00.33
ZYUWCP007	1	1	2	WV00.33
ZYUWCP008	1	1	2	WV00.33
ZYUWCP009	1	1	2	WV00.33
ZYUWCP010	1	1	2	WV00.33
ZYUWCP011	1	1	2	WV00.33
ZYUWCP012	1	1	2	WV00.33
ZYUWCP013	1	1	2	WV00.33
ZYUWCP014	1	1	2	WV00.33
ZYUWCP015	1	1	2	WV00.33
ZYUWCP016	1	1	2	WV00.33
ZYUWCP017	1	1	2	WV00.33
ZYUWCP018	1	1	2	WV00.33
ZYUWCP019	1	1	2	WV00.33
ZYUWCP020	1	1	2	WV00.33
ZYUWCP021	1	1	2	WV00.33
ZYUWCP022	1	1	2	WV00.33
ZYUWCP023	1	1	2	WV00.33
ZYUWCP024	1	1	2	WV00.33
ZYUWCP025	1	1	2	WV00.33
ZYUWCP026	1	1	2	WV00.33
ZYUWCP027	1	1	2	WV00.33
ZYUWCP028	1	1	2	WV00.33
ZYUWCP029	1	1	2	WV00.33
ZYUWCP030	1	1	2	WV00.33
ZYUWCP031	1	1	2	WV00.33
ZYUWCP032	1	1	2	WV00.33
ZYUWCP033	1	1	2	WV00.33
ZYUWCP034	1	1	2	WV00.33
ZYUWCP035	1	1	2	WV00.33
ZYUWCP036	1	1	2	WV00.33
ZYUWCP037	1	1	2	WV00.33
ZYUWCP038	1	1	2	WV00.33
ZYUWCP039	1	1	2	WV00.33
ZYUWCP040	1	1	2	WV00.33
ZYUWCP041	1	1	2	WV00.33
ZYUWCP042	1	1	2	WV00.33
ZYUWCP043	1	1	2	WV00.33
ZYUWCP044	1	1	2	WV00.33
ZYUWCP045	1	1	2	WV00.33
ZYUWCP046	1	1	2	WV00.33
ZYUWCP047	1	1	2	WV00.33
ZYUWCP048	1	1	2	WV00.33
ZYUWCP049	1	1	2	WV00.33
ZYUWCP050	1	1	2	WV00.33
ZYUWCP051	1	1	2	WV00.33
ZYUWCP052	1	1	2	WV00.33
ZYUWCP053	1	1	2	WV00.33
ZYUWCP054	1	1	2	WV00.33
ZYUWCP055	1	1	2	WV00.33
ZYUWCP056	1	1	2	WV00.33
ZYUWCP057	1	1	2	WV00.33
ZYUWCP058	1	1	2	WV00.33
ZYUWCP059	1	1	2	WV00.33
ZYUWCP060	1	1	2	WV00.33
ZYUWCP061	1	1	2	WV00.33
ZYUWCP062	1	1	2	WV00.33
ZYUWCP063	1	1	2	WV00.33
ZYUWCP064	1	1	2	WV00.33
ZYUWCP065	1	1	2	WV00.33
ZYUWCP066	1	1	2	WV00.33
ZYUWCP067	1	1	2	WV00.33
ZYUWCP068	1	1	2	WV00.33
ZYUWCP069	1	1	2	WV00.33
ZYUWCP070	1	1	2	WV00.33
ZYUWCP071	1	1	2	WV00.33
ZYUWCP072	1	1	2	WV00.33
ZYUWCP073	1	1	2	WV00.33
ZYUWCP074	1	1	2	WV00.33
ZYUWCP075	1	1	2	WV00.33
ZYUWCP076	1	1	2	WV00.33
ZYUWCP077	1	1	2	WV00.33
ZYUWCP078	1	1	2	WV00.33
ZYUWCP079	1	1	2	WV00.33
ZYUWCP080	1	1	2	WV00.33
ZYUWCP081	1	1	2	WV00.33
ZYUWCP082	1	1	2	WV00.33
ZYUWCP083	1	1	2	WV00.33
ZYUWCP084	1	1	2	WV00.33
ZYUWCP085	1	1	2	WV00.33
ZYUWCP086	1	1	2	WV00.33
ZYUWCP087	1	1	2	WV00.33
ZYUWCP088	1	1	2	WV00.33
ZYUWCP089	1	1	2	WV00.33
ZYUWCP090	1	1	2	WV00.33
ZYUWCP091	1	1	2	WV00.33
ZYUWCP092	1	1	2	WV00.33
ZYUWCP093	1	1	2	WV00.33
ZYUWCP094	1	1	2	WV00.33
ZYUWCP095	1	1	2	WV00.33
ZYUWCP096	1	1	2	WV00.33
ZYUWCP097	1	1	2	WV00.33
ZYUWCP098	1	1	2	WV00.33
ZYUWCP099	1	1	2	WV00.33
ZYUWCP100	1	1	2	WV00.33

DRAWN: <Drawn By>		DATED: <Drawn Date>		COMPANY: <Company Name>	
CHECKED: <Checked By>		DATED: <Checked Date>		TITLE: <Title>	
QUALITY CONTROL: <QC By>		DATED: <QC Date>		CODE: <Code>	SIZE: A0
RELEASED: <Released By>		DATED: <Release Date>		DRAWING NO: <Drawing Number>	
		SCALE: <Scale>		REV: <Revision>	
				SHEET: 11 of 11	