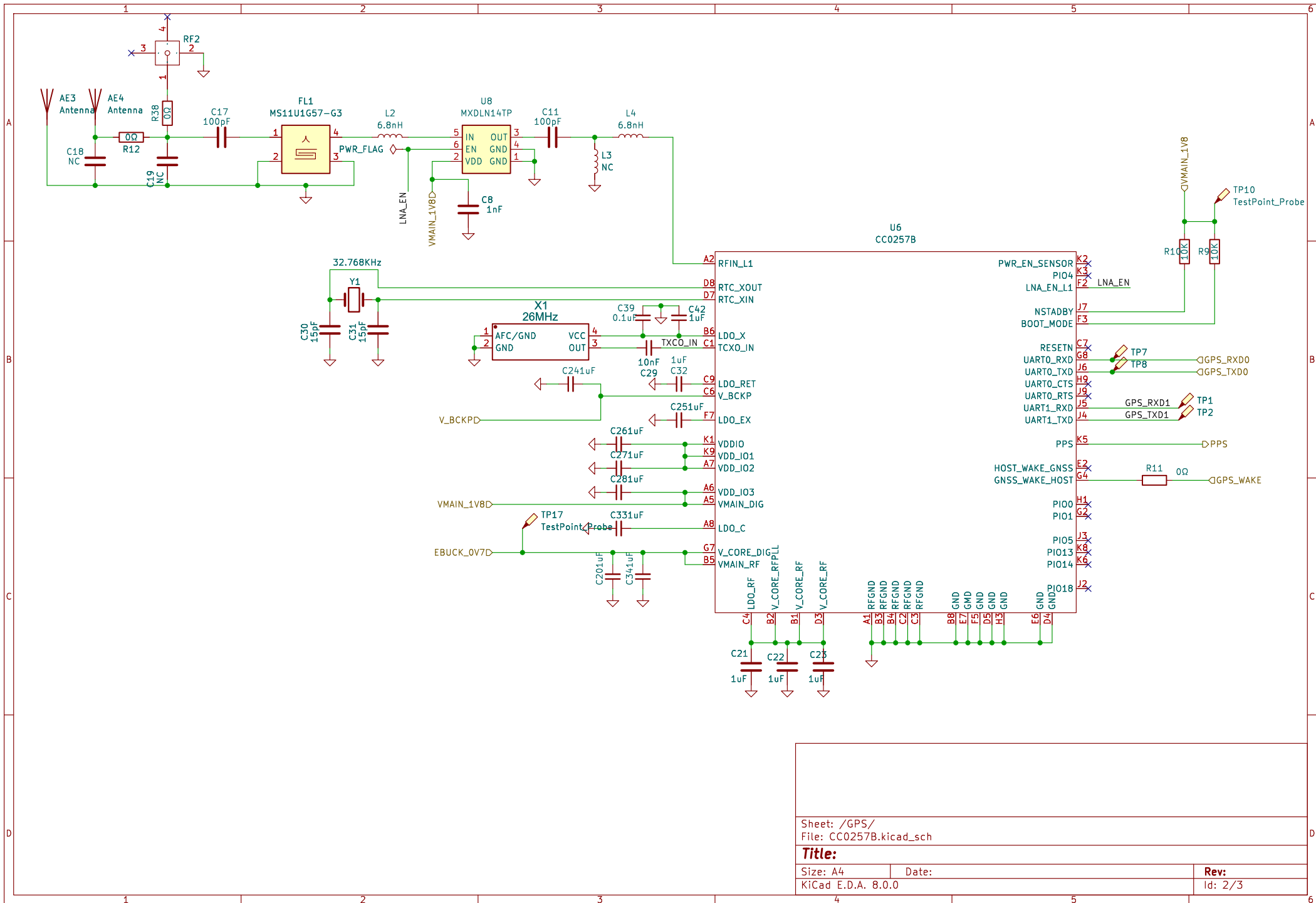


<b>合宙</b> Sheet: / File: AIR8201H_V1.4.kicad_sch			
<b>Title:</b>			
Size: A3	Date: 2024-8-1	Rev: v1.4	
KiCad E.D.A. 8.0.0		Id: 1/3	

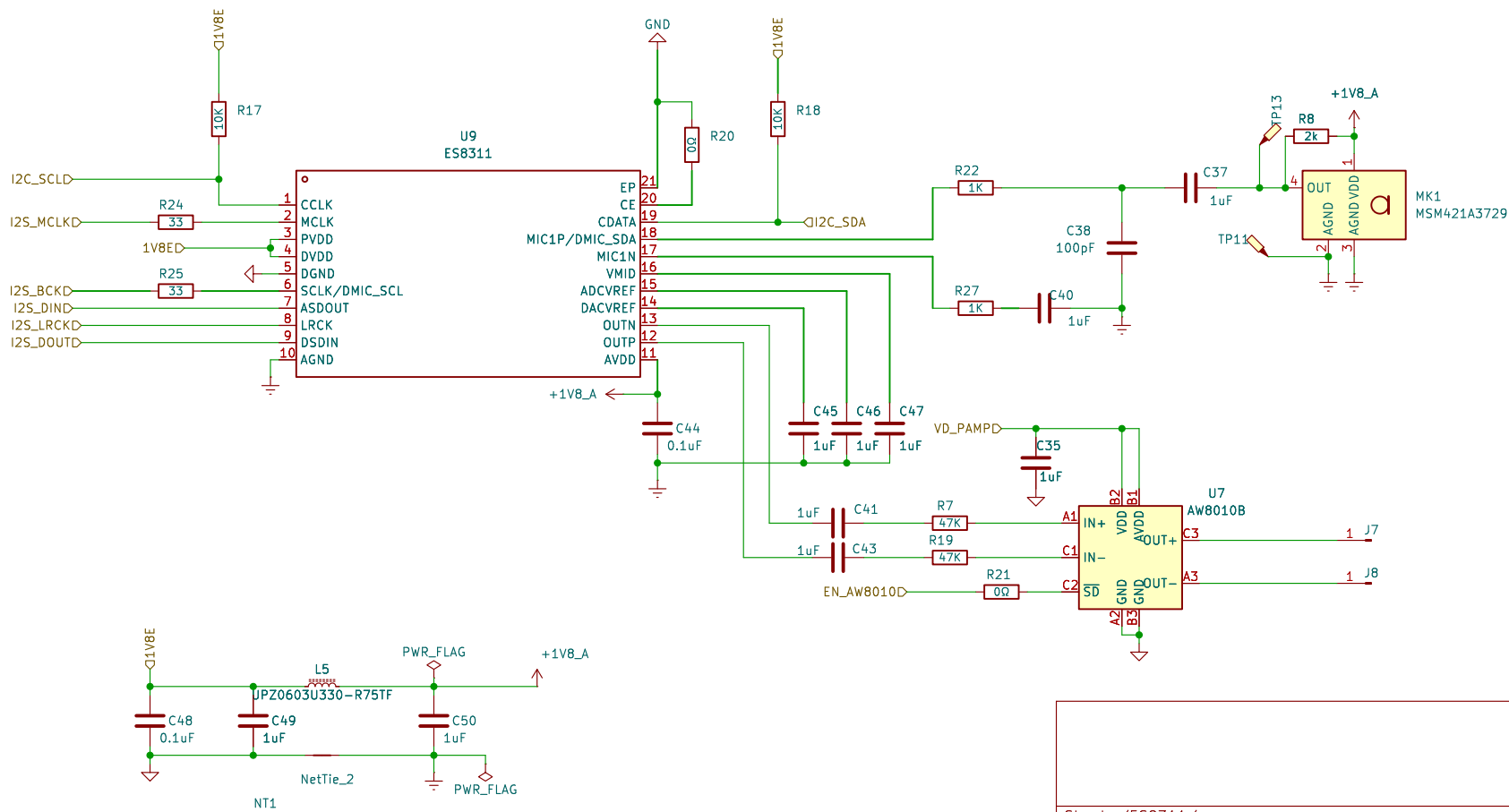


Sheet: /GPS/  
 File: CC0257B.kicad\_sch

**Title:**

Size: A4 Date:  
 KiCad E.D.A. 8.0.0

Rev:  
 Id: 2/3



Sheet: /ES8311/  
 File: ES8311.kicad\_sch

**Title:**

Size: A4  
 KiCad E.D.A. 8.0.0

Date:

Rev:

Id: 3/3