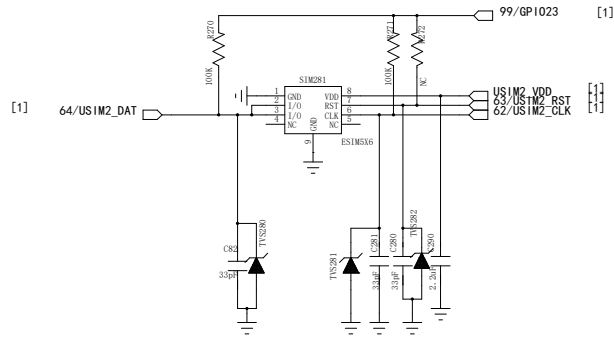
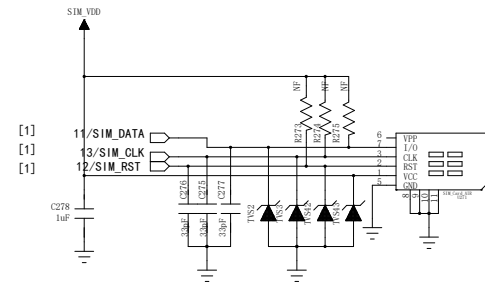


5*6贴片卡USIM2

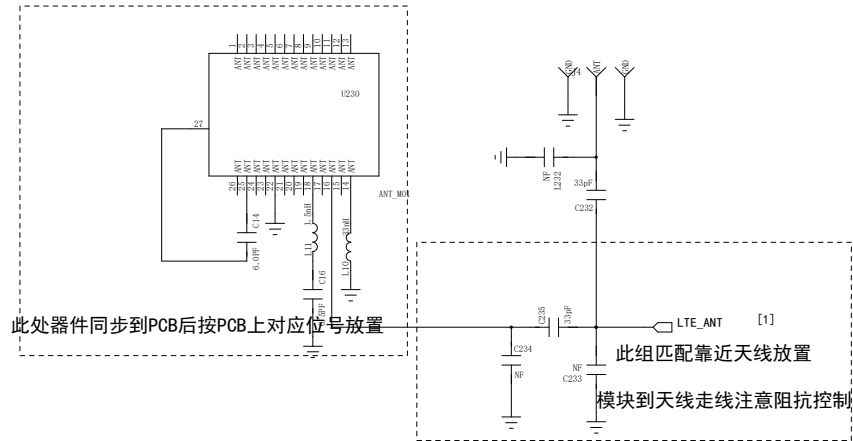


SIM卡座 (Micro-SIM)

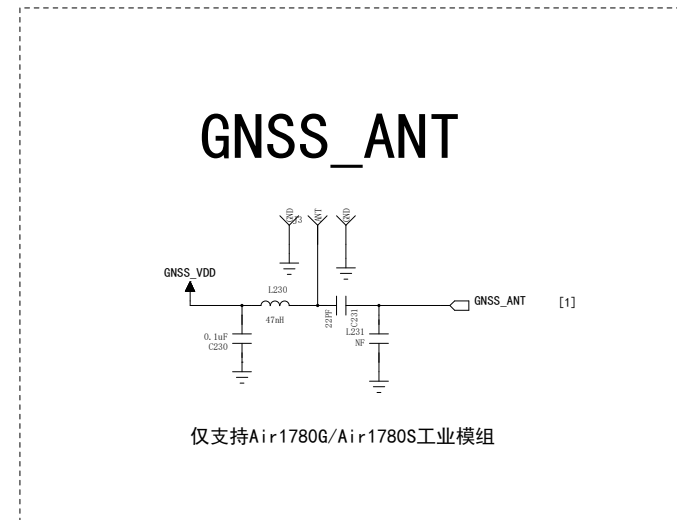


Designer	<OrgName>	Release	<OrgAddr1>
DRAWING TITLE	EC718_MODULE3_CN_V02		
SIZE	DK No.	Rev	
C			
FILE NO.	<OrgAddr2>	LAST UPDATE	Friday, Oct 8, 2021
Confidential		Sheet	2 of 7

LTE_ANT

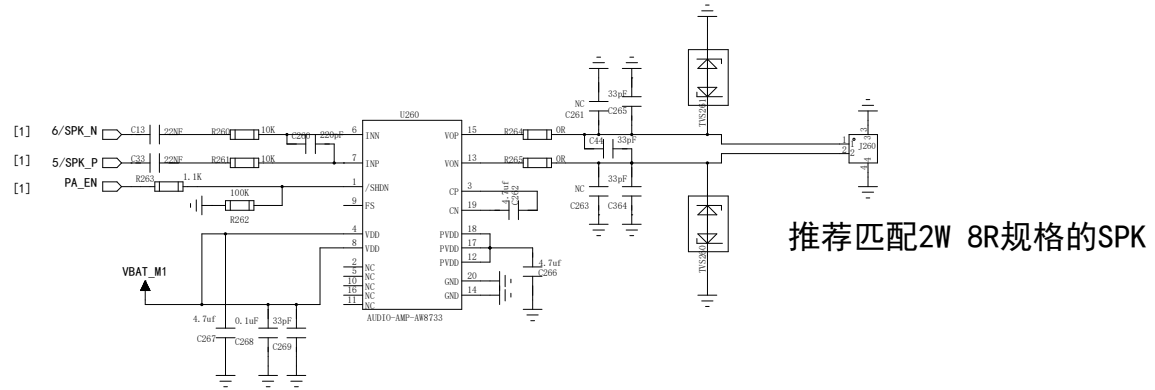


GNSS_ANT

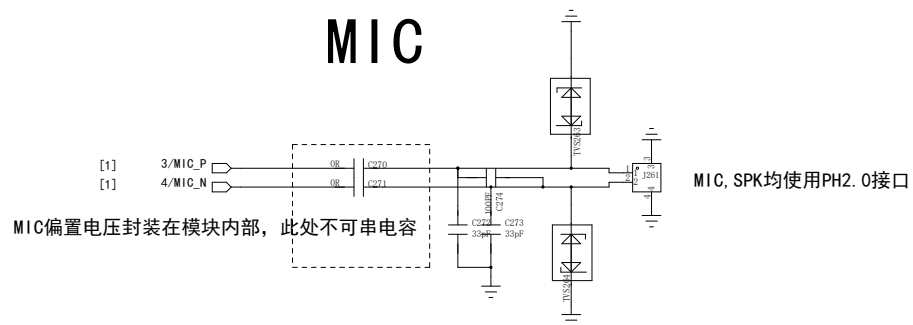


Designer	<OrgName>	Release	<OrgAddr1>
DRAWING TITLE	EC718_MODULE3_CN_V02		
SIZE	DK NO.	Rev	
C		<Rev>	
	PCB NO.	LAST UPDATE	
	<OrgAddr2>	Friday, Oct 8, 2021	
	Confidential		
	Sheet	3	of 7

SPK

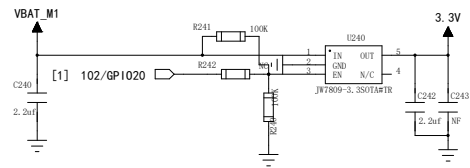


MIC



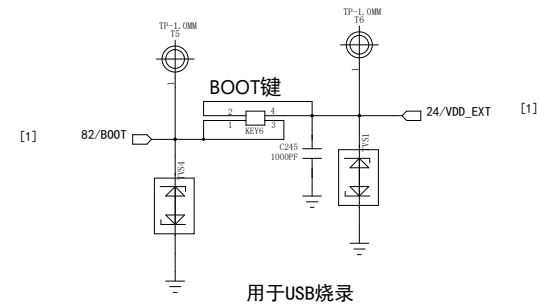
Designer	<OrgName>	Release	<OrgAff1>
DRAWING TITLE	EC718_MODULE3_CN_V02		
SIZE	DK: NU	Rev	
C	<OrgAddr2>	LAST UPDATE	
PUB. NU.	<OrgAddr2>	Friday, Oct 8, 2021	
Confidential		Sheet 4 of 7	

LDO, 3.3V输出



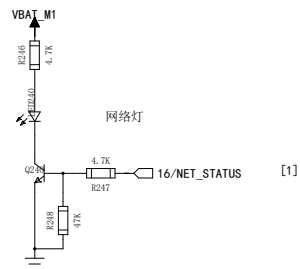
默认贴R241, 即无需控制上电便输出3.3V

按键



用于USB烧录

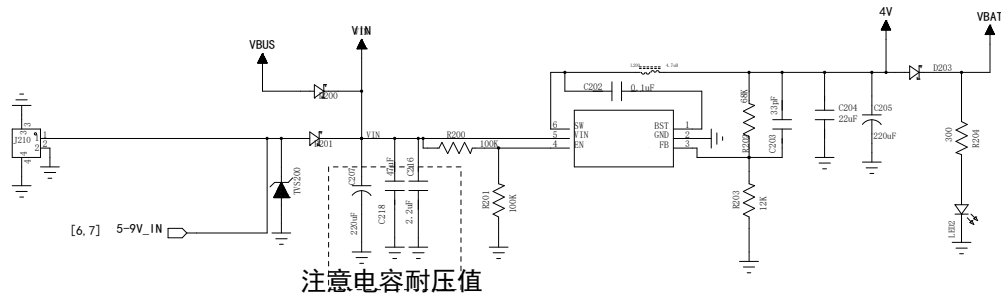
网络指示灯



可做网络状态灯, 也可自定义其它功能

Designer	<OrgName>	Release	<OrgAddr1>
DRAWING TITLE	EC718_MODULE3_CN_V02		
SIZE	DK. NO.	Rev	<Rev>
C			
FILE NO.	<OrgAddr2>	LAST UPDATE	Friday, Oct 8, 2021
	Confidential	Sheet	5 of 7

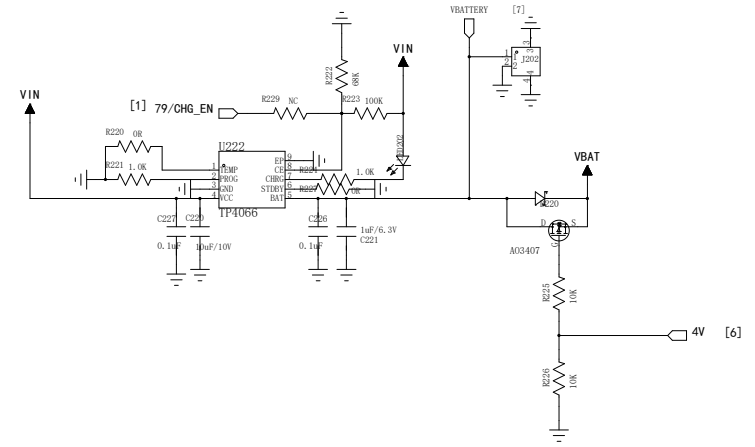
DC/DC // JW5357M // 18V/3A



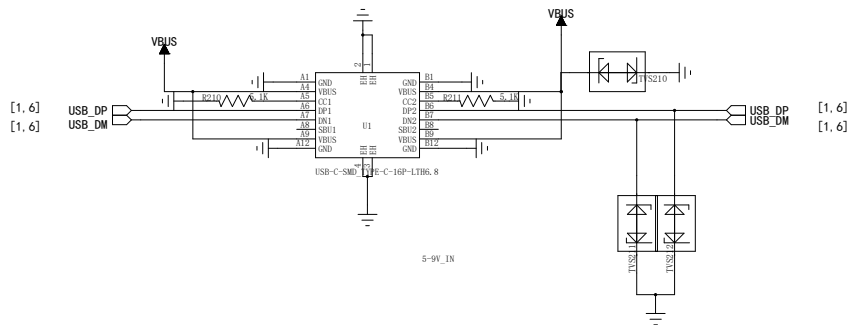
注意电容耐压值

$$V_{OUT} = 0.6 * (1 + R_{202}/R_{203}) = 4.0V$$

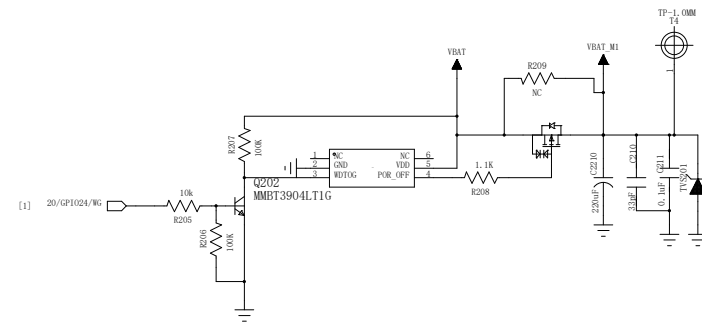
充电 // TP4066



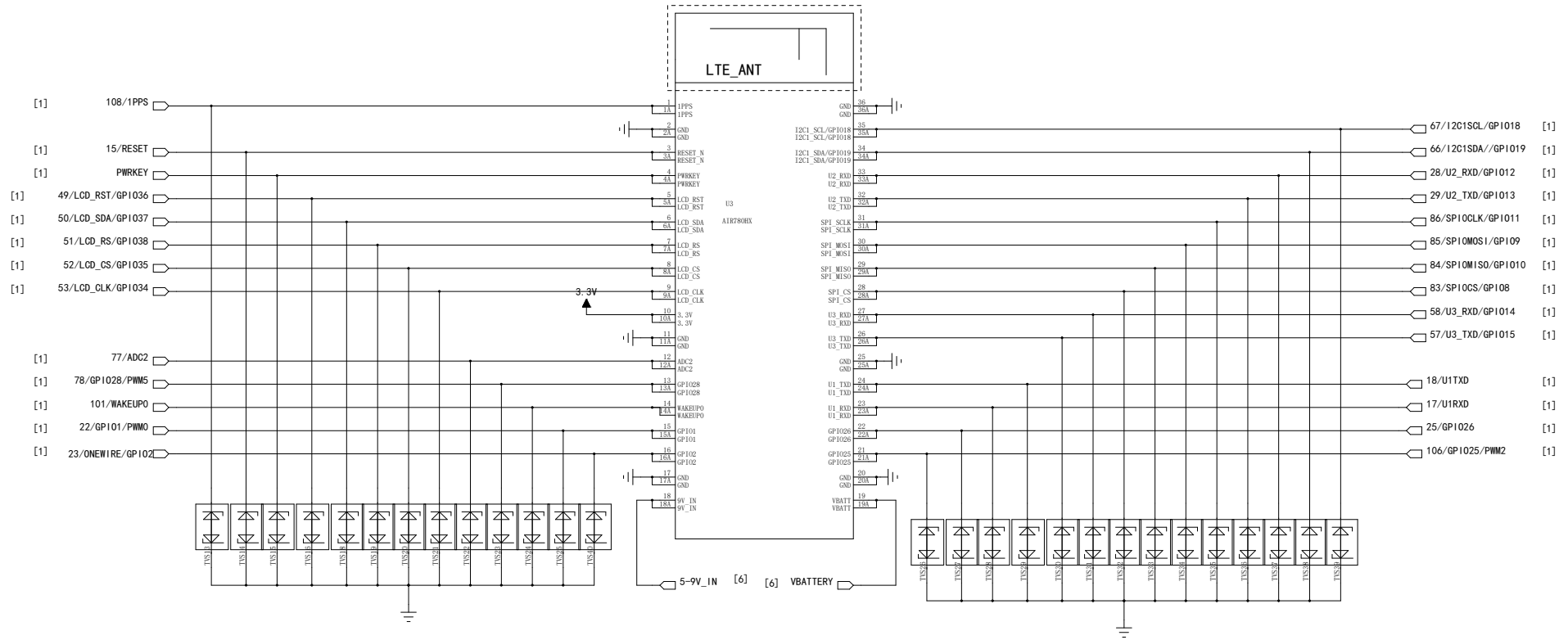
USB Type-C



看门狗Air153C



Designer	<OrgName>	Release	<OrgAddr1>
DRAWING TITLE EC718_MODULE3_CN_V02			
SIZE	DK	NC	Rev
C			<Rev>
	PCB NO.	LAST UPDATE	
	<OrgAddr2>	Friday, Oct 8, 2021	
Confidential			Sheet 6 of 7



Designer	<OrgName>	Release	<OrgAddr1>
DRAWING TITLE	EC718_MODULE3_CN_V02		
SIZE	DK: N/A	Rev	<Rev>
	PCB NO:	LAST UPDATE	
	<OrgAddr2>	Friday, Oct 8, 2021	
	Confidential	Sheet 7	of 7